



### • Main Features

- Available communications:
  - Ethernet
  - Serial line RS-232/485
  - Wi-fi
  - Profinet (Optional)
  - Multifunction (Counter, Chronometer, Tachometer, BCD direct) (Optional)
- Configurable brightness level
- 2 relays outputs at 24VDC 5A or 230VAC 10A.
- Device configuration via Webserver.
- 3-Year Warranty

### Field of application of devices with industrial communications

Visualization of data generated from corporate network, PC, PLC or measuring Device, SCADA programs.  
 Clear and remote display of important data, alerts, generation of visual and/or audible alarms.

### Field of application of multifunction devices

Simple setup and easy adaptation. PNP, NPN inputs and internal and external power supply.  
 Parallel control from PLC, parts counter, tachometer, stopwatch, timer and binary. Distancia máxima de lectu-

### General Features

Digit height	57mm
Maximum reading distance	30 meters
Number of digits	3 or 4
Available characters	0-9,A,b,C,c,d,E,F,H,h,i,J,L,n,o,P,r,U,u [space],=[dot],-,_,_
Maximum ambient lighting	1000 lux.
Power supply	100 to 240VAC 50/60Hz. <b>Optional:</b> 19 to 36VDC
Display faces	Four
Gearbox (mechanical)	Aluminum profile, painted matte Black lacquered
Fixation	Fixing on a flat surface
Ethernet BUS protocol	TCP/IP, UDP/IP and Modbus/TCP
Serial BUS protocol	RS-232/RS-485. MODBUS, ASCII, KOSMOS... <b>Optional:</b> RS-422.
Wifi BUS protocol	UDP/IP
Clock	Internal, with SNTP synchronization option
Operating/storage temperature	-20º to 60ºC / -30º to 70ºC
Environmental protection level	IP40.

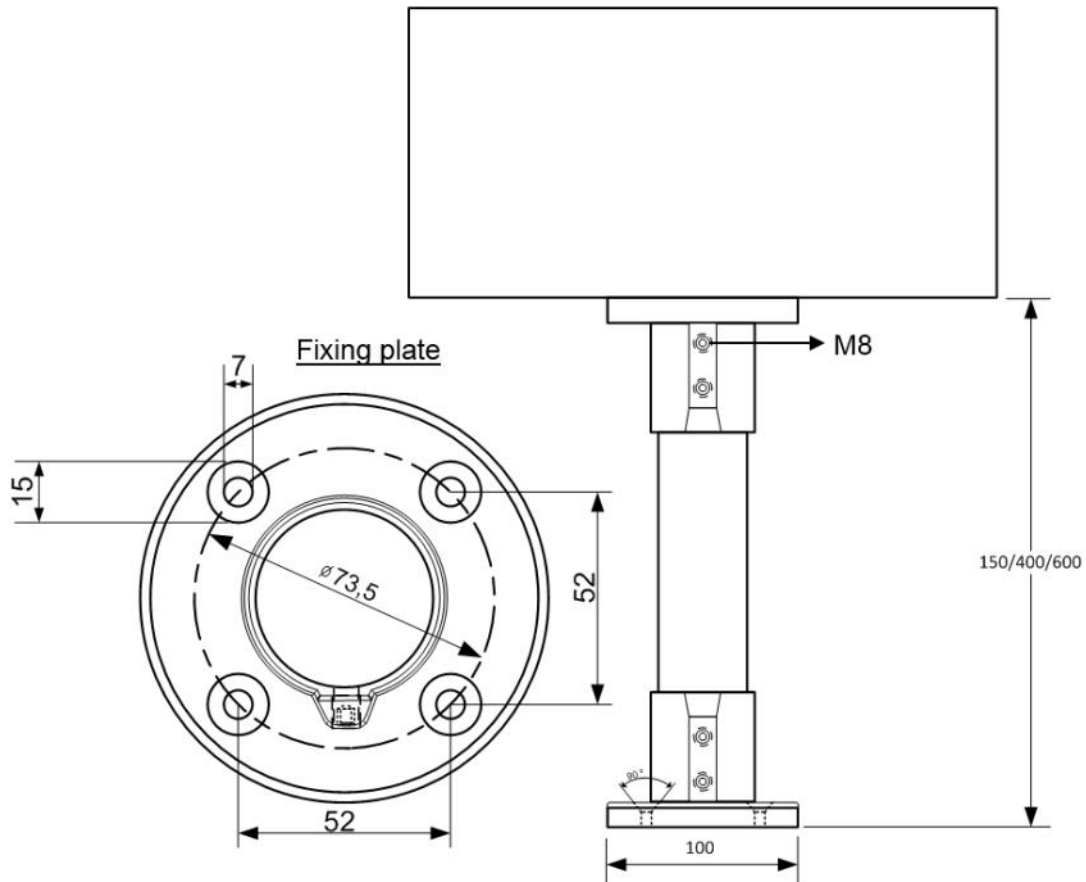
### Features Profinet option

Dual Ethernet Port
100 Mbit/s Full Duplex
Real-time isochronous communication
Conformity class A, B and C
MRP (Media Redundancy Protocol) as client
Display data refresh rate 100 ms (10 Hz)

## Features according to function for multifunction device

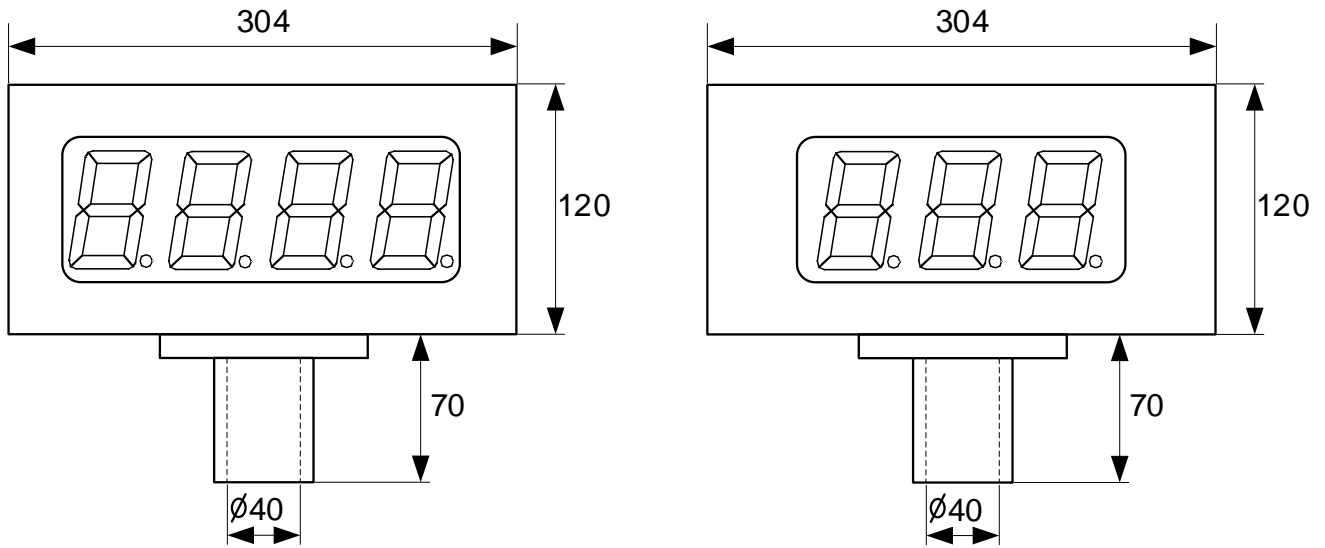
Counter	Multiplier and divisor factor. Maximum frequency 7.5kHz.
Chronometer	Up or down counting.
Tachometer	Measurement range from 10Hz to 7,5kHz.
BCD direct	14 bits. Maximum 3 digits used for BCD number and one for negative sign.
Both the chronometer and tachometer functions allow the input of commands for Relay activation	

## Fixation



All the measurements are in millimeters

## Dimensions in mm



## Reference composition

