

LARTET

DN-107V2

**Serial, Ethernet &
Wi-fi connection**



57 mm high digits. Industrial environment
Readable from up to 30m
4 displaying sides. 360° displaying.

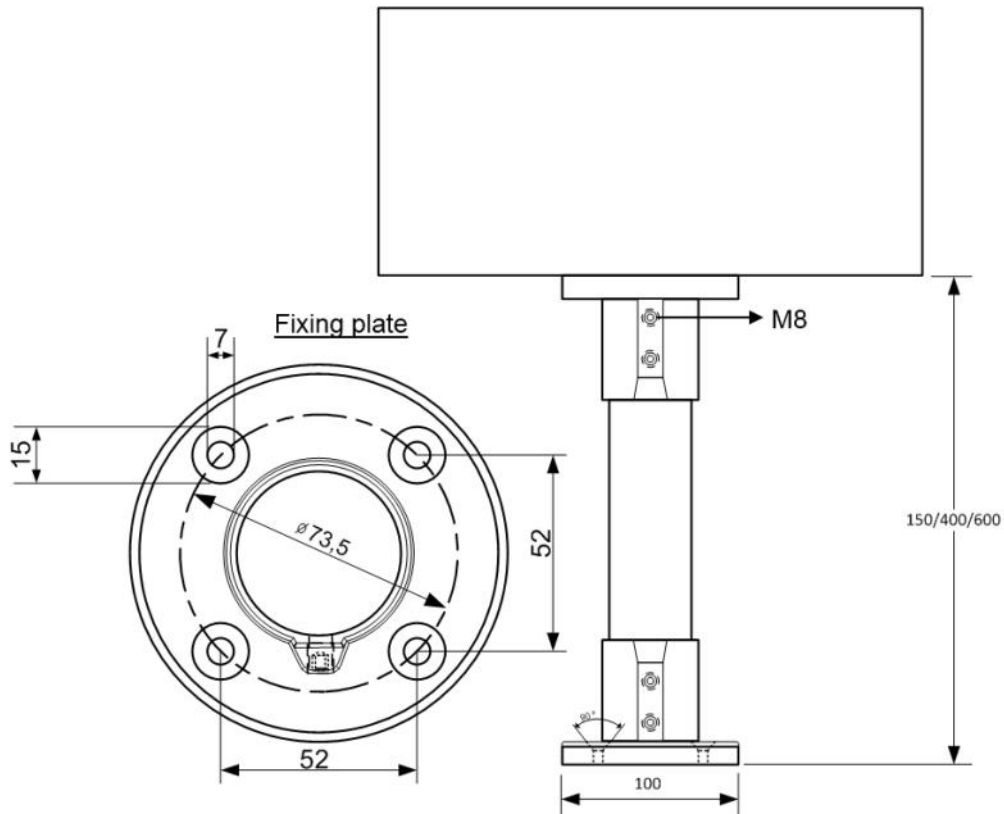
Application field

Data display from a corporate network, PC, PLC or measurement equipment, or SCADA.
Clear long distance visualization of important data, visual and sound warnings or alarms...

General specifications

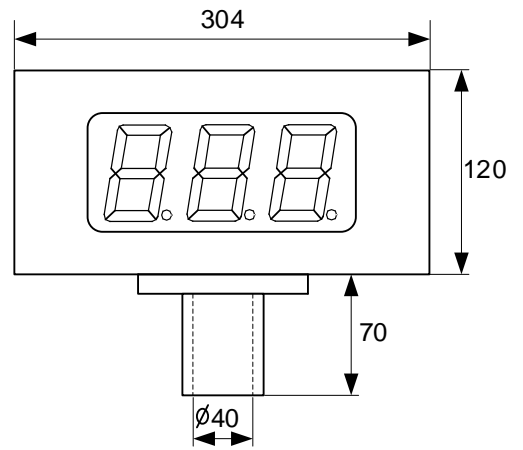
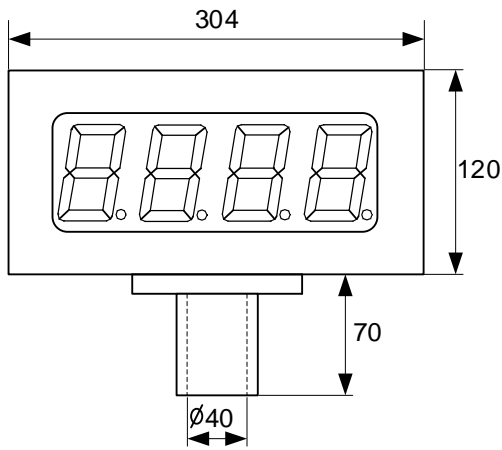
Digit height	57mm
Reading maximum distance	30 meters
Digit number	3 or 4
Additional characters available	0 - 9, A,b,C,c,d,E,F,H,h,i,J,L,n,o,P,r,U,u [blank],=, [dot],-, Hyphen high & low
Maximum ambient light	1000 lux.
Supply	80VAC to 240VAC 50/60Hz Option: 24V
Sides	Four
Digital output	Two relays 24VDC/2A o 230VAC/2A
Housing	Extruded aluminum profile, matt lacquered black painted
Mounting	Fixation on flat surface
Serial BUS protocol	RS232/RS485 option RS422 : MODBUS, KOSMOS (ISO1745, ASCII)
Ethernet bus protocol	TCP/IP, UDP/IP & Modbus/TCP
Wifi Protocol	UDP/IP by network, or AdHOC mode
Clock	Internal, SNTP sync or optionally also by GPS (Optional)
Temperature working/storage	-20° to 60°C / -30° to 70°C
Environmental protection level	IP41

Fixation

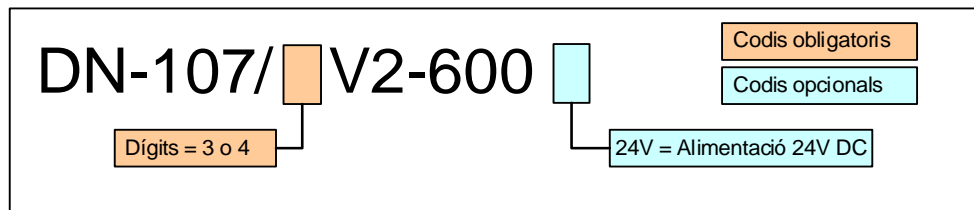


All the measurements are in millimeters

Dimensions



Reference composition



LARTET®

LARTET is a trade mark of TETRALEC ELECTRONICA INDUSTRIAL S.L.

Severo Ochoa, 80
Pol. Ind. Font del Ràdium
08403 GRANOLLERS
Tel. 34-938.464.828 Fax. 34-938.466.659
Email: lartet@lartet.com
Web: www.lartet.com

TETRALEC
ELECTRÓNICA INDUSTRIAL