

LARTET

**DN-119NP**

**Profibus DP slave**



100 mm high digits. Industrial environment  
Readable from up to 50m  
1 o 2 displaying sides.

## Application field

Production counting and display.  
Any variable from a PLC, counters, RPM, temperature.

## Colour option

Available for models DN-109 and DN-119. It lets you to choose the display colour depending on the input value.  
The valid colours are: Red, green and yellow.



## Option to display the measures units

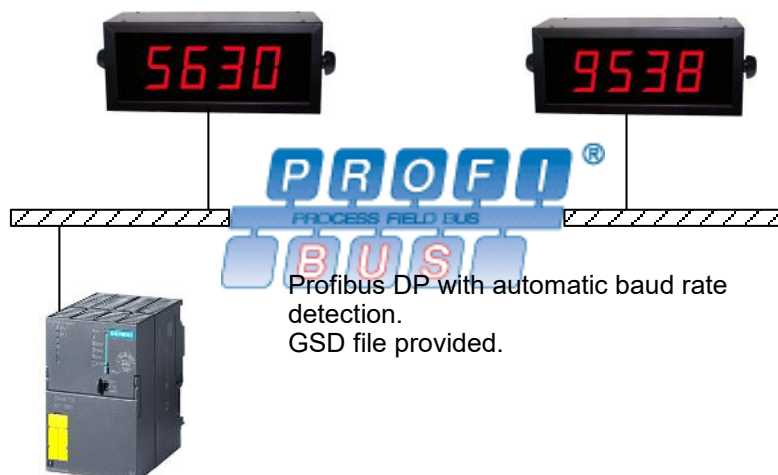
Several measure units can be permanently displayed: Kg, Tm, °C, mV, m/s, l/s, or any other unit, as the consumer desires, up to three characters.

## DISPLAY CONFIGURATION

The displays include two push buttons to configure the display address, the data type, time without reception and decimal point position.

## General specifications

Numeric display Height	100mm
Unity of mesures text Height (optional)	60mm
Visibility	50 meters
Valid characters	0 a 9, A,b,C,c,d,E,F,H,h,i,J,L,n,o,P,r,U,u [espace], =, [point], uppers., unders.
Maximum environmental illumination	1000 lux
Maximum environmental lighting. Models (eh)	Outdoor
Colour. Red/Green/Yellow	Applicable
Supply voltage	100 to 240 VAC 50 to 60Hz. Option 24VCC
Display sides	One or two
Housing	Rugged aluminum extrusion
Mounting	Wall or suspension
Protocols	PROFIBUS DP Slave 12MHz
Operating temperature	-20° to 60°C
Storage temperature	-30° to 70°C
Protection level	IP41 (option IP65)

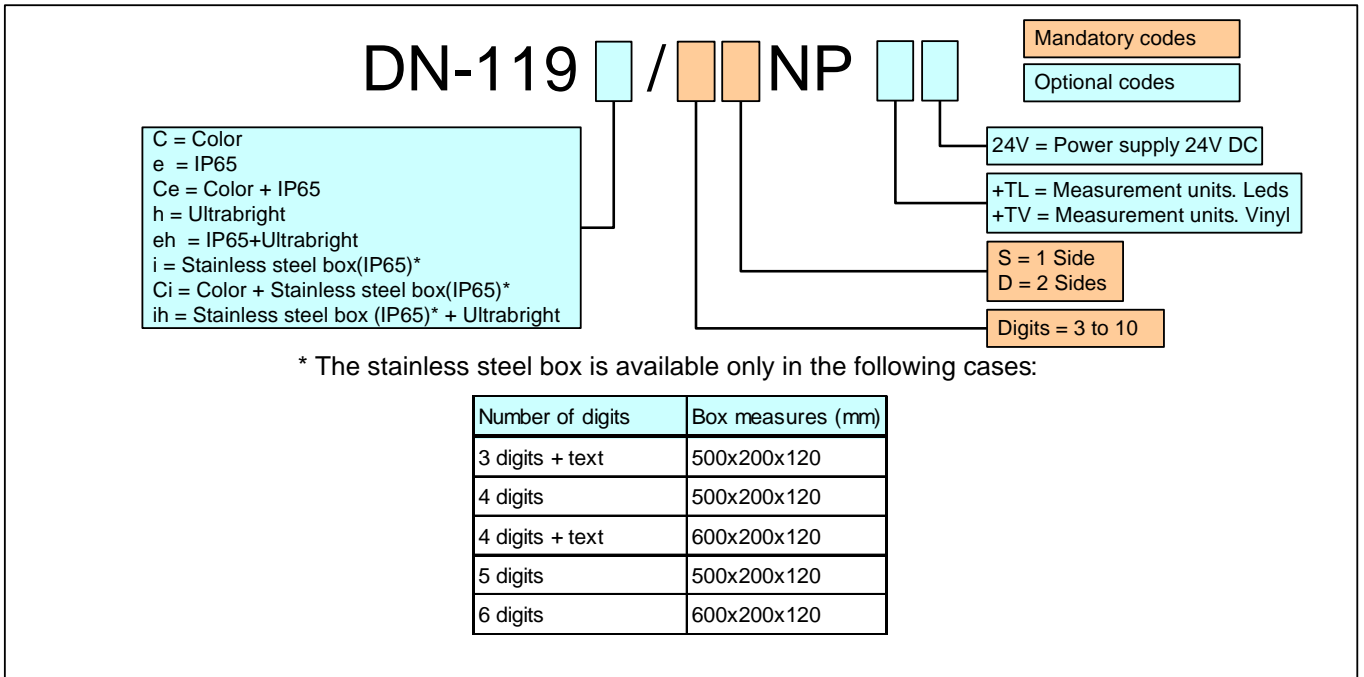


## Dimensions

Digits	3	4	5	6	7	8	9	10
--------	---	---	---	---	---	---	---	----

DN-119	Height = 175mm		Depth = 120mm					
Width in mm	324	414	504	594	684	774	864	954
Width + Option text in mm	504	594	684	774	864	954	1044	1134

## Reference composition



## EXAMPLES:

### DN-119/4DNP

4 Digits, DN-119 series display, two sides.

### DN-119e/5SNP+TL "m/m"

5 Digits, DN-119 series display, one side. Protection degree IP65. Fixed text "m/m" in red leds.

### DN-119C/3SNP

3 Digits, DN119 series display, tricolour, one side.