

LARTET

DN-119AP

**Analog input.
Process control.**



100 mm high digits. Industrial environment
Readable from up to 50m
1 o 2 displaying sides.

Application field

They are most often used to show any instrument analog output voltage in the range $\pm 10V$ (0-10V, 0-5V, 0-1V, 1-5V), or analog output current in the range $\pm 20mA$ (0-1mA, 0-5mA, 0-20mA, 4-20mA). They are easily configurable with 3 pushbuttons. But, because they are scalable, they can be used to show any physical measurement in your process.

All equipment is factory completely calibrated with data stored in non erasable memory without use of adjustment potentiometers

Ethernet option

The Ethernet option lets you to program the parameters or to read the display value remotely through the embedded web page.

Dual relay output option

Two programmable relay output are available. Selectable HI or LO . Delay time or hysteresis adjustable.

Option to display the measures units

Several measure units can be permanently displayed: Kg, Tm, °C, mV, m/s, l/s, or any other unit, as the consumer desires, up to three characters.

General specification

Power supply	100 to 240 VAC 50 to 60Hz. Option 24Vcc
Case material	Aluminum extruded
Mounting	Wall or suspension
Display	Color red
Frontal	Methacrylate
Back	Black Methacrylate
Operating temperature	-20° to 60°C
Protection level	IP41 (option IP65)

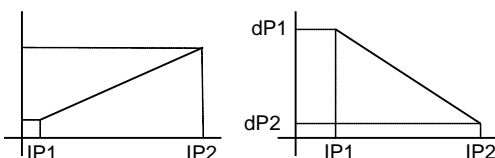
Display Format

	3 Digits	4 Digits	5 Digits
Resolution	-199/999	-1999/9999	-19999/99999
Overrange	-OE / OuE	-OuE / OuE	-OuE/OuE

Analog/digital converter

A/D conversion technique	Sigma-Delta	
A/D conversion resolution	24 bits	
A/D conversion rate	25/ s	
Input signal	Voltage	Current
Range	$\pm 10V$ DC	$\pm 20mA$ DC
	0 - 1V	0 - 1 mA
	0 - 5V	0 - 5 mA
	1 - 5V	0 - 20 mA
	0 - 10V	4 - 20 mA
Resolution	0,5 mV	5 μA
Input impedance	1 M Ohm	12.1 Ohm
Maximum error	$\pm(0,1\% \text{ reading} + 3 \text{ digits})$	
Temperature coefficient	100 ppm / °C	
Warmup time	5 minutes	
Excitation output	24V DC 100 mA	

Direct or inverse relation

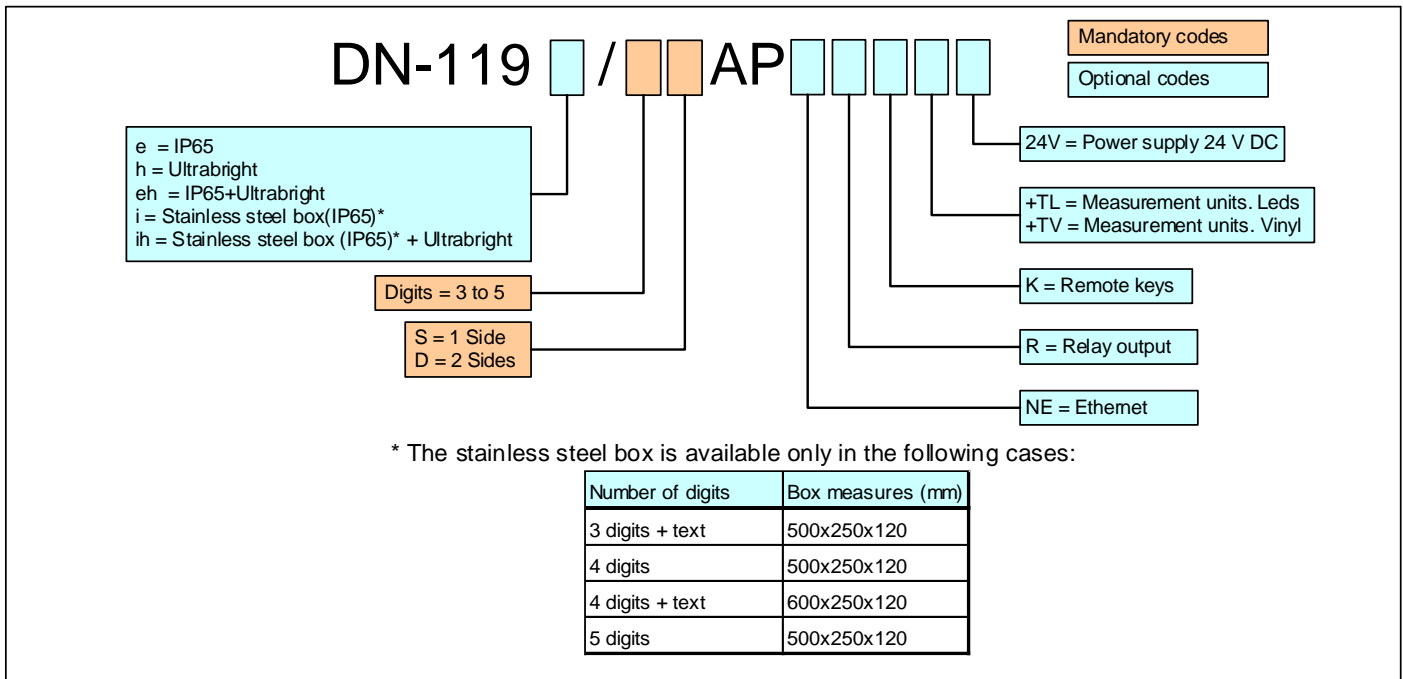


Dimensions

Digits	3	4	5
--------	---	---	---

DN-119	High = 177mm	Depth = 120mm	
Width in mm	324	414	504
Width + Text option	504	594	684

Reference composition



EXAMPLES:

DN-119/4DAP

Process input signal 4 digits display DN-119 of two sides.

DN-119e/5SAP+TL rpm

Process input signal 5 digits display DN-119 of one side.

Text leds option. Text: rpm.

Protection degree IP65.