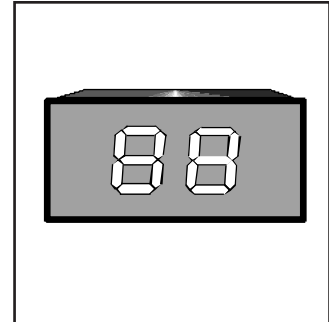


DN-108 OPERATION MANUAL

NUMERIC DISPLAY FOR PLC OF 20 mm. HEIGHT

The numeric displays DN-108 are displays of 2
20 mm height digits .
The power supply is 24VDC.

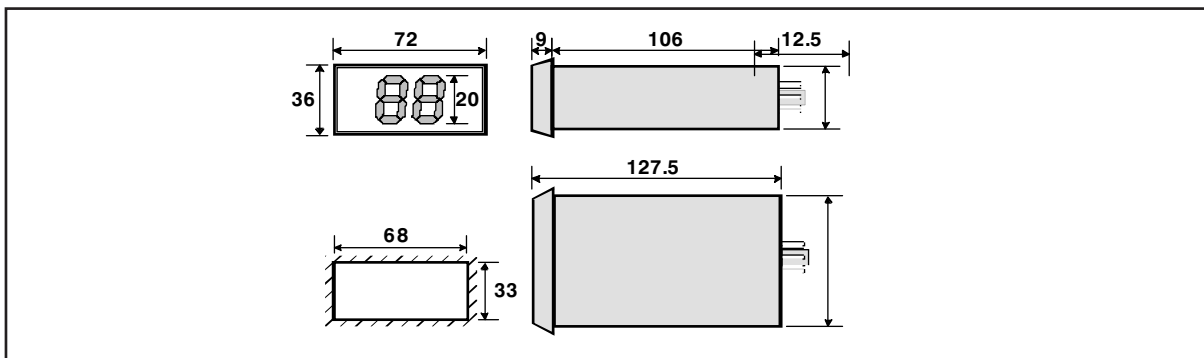
The digital control is perfect to show alarms,
advises and troubles from a PLC.



GENERAL SPECIFICATIONS

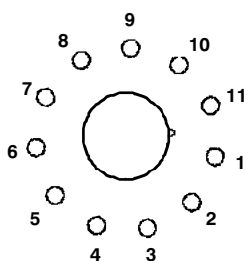
Nº digits.....	LED display of segments of 20mm. height
Approximated maximum reading distance.....	20 meters.
Maximum environmental lighting.....	1000 lux.
Power supply.....	24 VDC +/- 10%
Level of inputs.....	15 to 26VDC 6mA
Maximun intensity	200mA
Dimensions.....	72 x 36 x 127mm
Characters.....	0,1,2,3,4,5,6,7,8,9
Control mode	Digital BCD
Non polarised inputs, independently NPN, PNP or CONTACT .	
Protection.....	IP-41
Conector.....	Undecal socket

DIMENSIONS



WIRING

The wiring of the display's power supply is made with a undecal socket.



Socket distribution

Nº of pin

- | | |
|------|---------|
| (1) | Common |
| (2) | + 24VDC |
| (4) | 1 BCD |
| (5) | 2 BCD |
| (6) | 4 BCD |
| (7) | 8 BCD |
| (8) | 10 BCD |
| (9) | 20 BCD |
| (11) | 40 BCD |
| (3) | 80 BCD |
| (10) | 0V |

