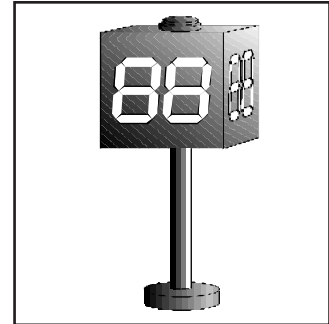


DN-107 OPERATION MANUAL

NUMERIC DISPLAY FOR PLC OF 57 mm. HEIGHT

The numeric display DN-107 in shape of a cube with four sides and two digits of 57mm. height.
The power supply is 12 to 24VDC.



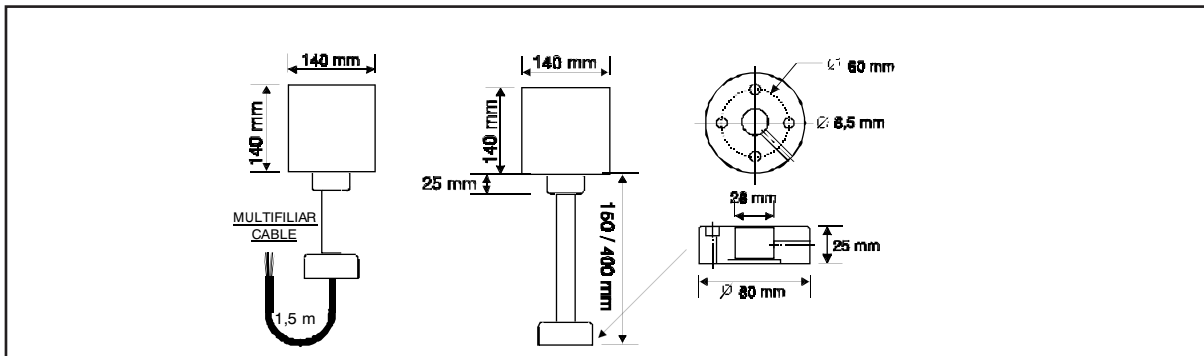
REFERÉNCIE

DN-107/150 With support of 150mm.
DN-107/400 With support of 400mm.

GENERAL SPECIFICATIONS

4 Sides Display LED of 7 segments of 57mm . height.
 Approximated maximum reading distance..... 30 meters.
 Maximum environmental lighting..... 1000 lux.
 Auxiliary power supply for inputs..... 15 to 26VDC, 450mA
 Level of inputs..... 15 to 26VDC 6mA
 Dimensions..... 140 x 140 x 140
 Characters.....0,1,2,3,4,5,6,7,8,9, A,B,C,D,E,F
 Control modeDigital BCD
 Polarity type of inputs **NPN, PNP or CONTACT.**
 Protection IP-43
 Acoustic warning......85dB
 Connections.....Multifilar cable of 1,5m of length.

DIMENSIONS



WIRING

The power supply and the signal controls by a multifilar cable.

(12) Red	+24VDC	(1) Green	80 BCD
(7) Black	0V	(5) White	Acoustic alarm
(6) Yellow	Common	(13) NC	
(8) Blue	1 BCD	(14) NC	
(9) Brown	2 BCD	(15) NC	
(10) Pink	4 BCD	(Yellow/Green) Earth	
(11) Grey	8 BCD		
(4) Violet	10 BCD		
(3) Grey / Pink	20 BCD		
(2) Green/Yellow	40 BCD		

