

DT-203NW
DT-105NW
DT-106NW
DT-110NW
DT-111NW

Message display from 1 to 8 lines.
 Characters of 30, 50 or 100mm height.
 One or two display sides.
 Control Wifi Ethernet. TCP/IP



Characteristics

Message display designed to be used in industrial environment.
 Real time clock: Seconds / Minutes / Hours / Days / Month / Year. It is adjustable by two push buttons. The clock is NiMH battery backup, which lasts approximately one month.
 Easy to install. Only needs the power supply.
 Option: Relative humidity and temperature sensor.

Perfect visibility

DT-203, DT-105/106 and DT-110/111 are big size displays. Red led colour display of 30, 50 or 100mm character in height. These features make them readable in almost any light environment from up to 15m(DT-203), 25m(DT-105/106) or 50m(DT-110/111). They are available in one or two displaying sides and from 1 to 8 lines.

Applications

The display of any message from a PC, production rates, Scada software (LabView), alphanumeric readouts.
 Displaying data in places of difficult access (Cranes, mobile machinery),
 The display of any data from a PLC: Temperature, engine RPM, alarm messages.

Message edition

Editing and saving messages on the display.

Messages are edited by PC with the TDL software. Applications in which the display receive the complete message by the Wifi serial line you may store only de message 0, because message 0 is used at the display start up.

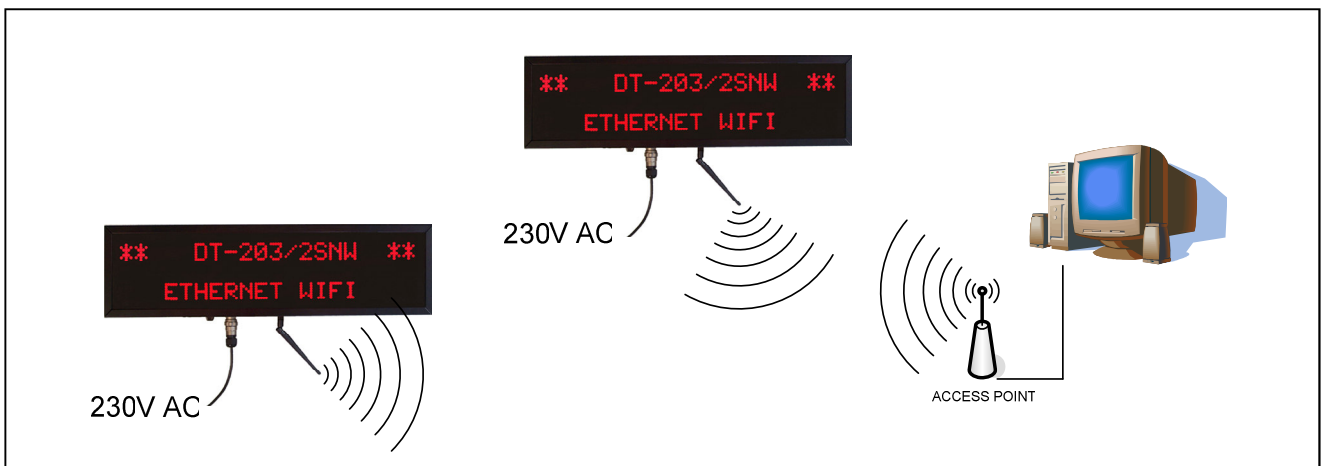
Recording messages.

Messages edited by PC are sent to display by Wifi serial line and the remain saved in a Eeprom memory. Batteries are not needed for message maintenance.

Working order

The DT-NW must be controlled sending a message, whit the end of block, to display IP address. The display's answer may be selected. Before to transmit the first block you must check the display parameters: Protocol, end of block and response message. Reading the display's MAC code is possible with the parameters utility. To assign the IP address, download the DeviceInstaller utility from the Lantronix web.

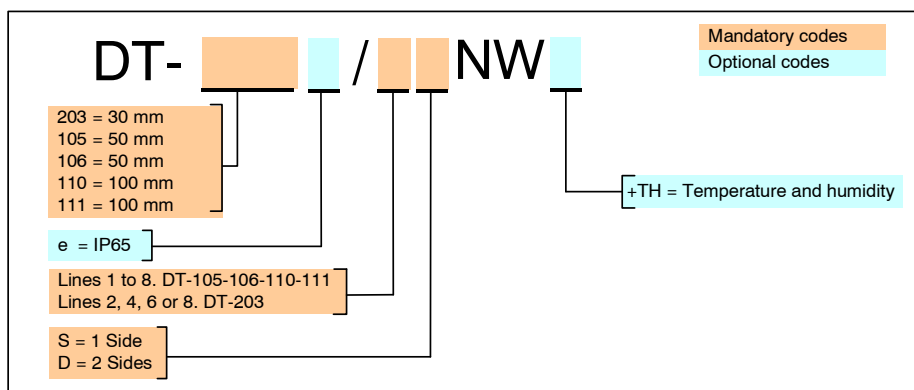
Example



Specifications

Model	DT-203		DT-105 DT-106		DT-110 DT-111	
n = Number of lines	DT203/nSNW	DT203/nDNW	DT-105/nSNW DT-106/nSNW	DT-105/nDNW DT-106/nDNW	DT-110/nSNW DT-111/nSNW	DT-110/nDNW DT-111/nDNW
Number of sides	1	2	1	2	1	2
Control	WIFI Ethernet TCP/IP					
Number of lines	2,4,6 or 8 lines		1 to 8 lines		1 to 8 lines	
Character/line	20 characters					
Display matrix	LED, 5 x 7 dot matrix					
Character height	30mm		50mm		100mm	
Reading distance	15 mètres		25 mètres		50 mètres	
Maximum environmental lighting	1000 lux		DT-105 = 1000 lux. DT-106 = Outdoor		DT-110 = 1000 lux. DT-111 = Outdoor	
Power supply	100VAC to 240VAC 50/60Hz					
Dimensions 1 line	Not available		985 x 118 x 120 mm		1886 x 165 x 120 mm	
Dimensions 2 lines	615 x 170 x 120 mm		985 x 224 x 120 mm		1886 x 378 x 120 mm	
Dimensions 3 lines	Not available		985 x 330 x 120 mm		1886 x 591x 120 mm	
Dimensions 4 lines	615 x 317 x 120 mm		985 x 436 x 120 mm		1886 x 805 x 120 mm	
Dimensions 5 lines	Not available		985 x 542 x 120 mm		1886 x 1018x 120 mm	
Dimensions 6 lines	615 x 464 x 120 mm		985 x 648 x 120 mm		1886 x 1232 x 120 mm	
Dimensions 7 lines	Not available		985 x 754 x 120 mm		1886 x 1445 x 120 mm	
Dimensions 8 lines	615 x 611 x 120 mm		985 x 860 x 120 mm		1886 x 1659 x 120 mm	
Dimensions 8 lines	615 x 611 x 120 mm		985 x 860 x 120 mm		1886 x 1659 x 120 mm	
Dimensions 6 characters	Not available		375 x 118 x 120 mm		666 x 165 x 120 mm	
Dimensions 13 characters	Not available		680 x 118 x 120 mm		1276 x 165 x 120 mm	
Protection degree	DT-203 = IP41 DT-203e = IP65		DT-105 = IP41 DT-106 = IP54 DT-105e = IP65 DT-106e = IP65		DT-110 = IP41 DT-111 = IP54 DT-110e = IP65 DT-111e = IP65	
Max. number of messages	512 messages					
Max. Length of the message	160 characters					
Messages memory	EEPROM 32kB					
Case/display	Aluminium section in black. Display in extruded antireflex methacrilate					
Humidity + temperature accuracy	Temperature $\pm 0,5^{\circ}\text{C}$ at 25°C . Humidity $\pm 3,5\%$ between 30% and 70%.					
Network standards	IEEE802.11b IEEE802.11g					
Frequency range	2.412 a 2.484 GHz					
Range	Up to 100m indoors					
Security	WEP 64/128, WPA-PSK, TKIP, AES end-to-end encryption					
Maximum receiver level	-10dBm (amb PER < 8%)					

Part number. (Details)



Examples:

DT-203/2SNW

2 lines, DT-203 series display, one face. Control Wifi Ethernet.

DT-105/3DNW+TH

3 lines, DT-105 series display, two faces. Control Wifi Ethernet and temperature and humidity option.



LARTET is a trademark of TETRALEC ELECTRONICA INDUSTRIAL S.L

