

## DN-109NW DN-119NW DN-129NW DN-189NW

Digits of 57, 100, 250 and 180mm height.  
 Ethernet Wifi. TCP/IP and Modbus/TCP  
 From 3 to 10 digits, 1 or 2 displaying sides.



### Suited for these applications

Displaying data generated in a PC by SCADA software.  
 Displaying data in places of difficult access (Cranes, mobile machinery),

### Perfect viewing

DN-109NW, DN-119NW, DN-129NW and DN-189NW have a very good visibility. They can be read up to 30, 50, 120 and 90 meters thanks to its good contrast and to the big size of its digits.

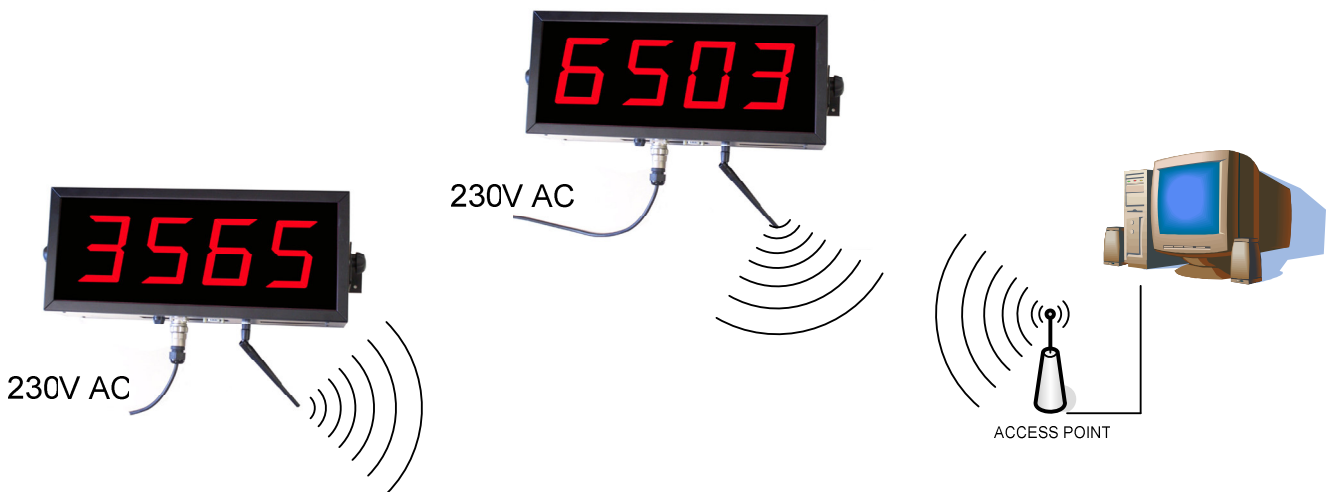
### Option to display the measures unities

Several measure unities can be permanently displayed: Kg, Tm, °C, mV, m/s, l/s, or any other unity, as the consumer desires, up to three characters.

Characters are made in high quality vinyl according with the display height. For the DN-109 and DN-119 leds may be used instead vinyl.

### Colour option

Colour option is available on models DN-109 and DN-119. It allows to display colours red, green or yellow. Colour automatically changes according to display's value.



## Dimensions

Dígitos	2	3	4	5	6	7	8	9	10
<b>DN-109</b> Height = 122mm      Depth = 120mm									
Width in mm		210	288	288	336	382	430	478	526
Width + Option text in mm		288	336	382	430	478	526	574	622
<b>DN-119</b> Height = 175mm      Depth = 120mm									
Width in mm		324	414	504	594	684	774	864	954
Width + Option text in mm		504	594	684	774	864	954	1044	1134
<b>DN-129</b> Height = 366mm      Depth = 120mm									
Width in mm	515	750	985	1220	1455	1690	1925	2160	2395
Width + Option text in mm	985	1220	1455	1690	1925	2160	2395	2630	2865
<b>DN-189</b> Height = 251mm      Depth = 120mm									
Width in mm	340	500	660	820	980	1140	1300	1460	1620
Width + Option text in mm	660	820	980	1140	1300	1460	1620	1780	1940

## GENERAL SPECIFICATIONS

	DN-109	DN-119	DN-129	DN-189
Numeric display Height	57mm	100mm	250mm	180mm
Unity of mesures text Height (optional)	45mm	60mm	vinyl only	vinyl only
Visibility	30 meters	50 meters	120 meters	90 meters
Valid characters	0 a 9, A,b,C,c,d,E,F,H,h,i,j,L,n,o,P,r,U,u [espace],=, [point],uppers., unders.			
Maximum environmental illumination	1000 lux			
Maximum environmental lighting. Models (eh)	No applicable	Outdoor	No applicable	Outdoor
Colour. Red/Green/Yellow	Applicable	Applicable	No applicable	No applicable
Supply voltage	100VAC to 240VAC 50/60Hz . Option 24VCC			
Display sides	One or two			
Housing	Rugged aluminum extrusion			
Sealing	IP-41			
Mounting	Wall or suspension			
Protocols	TCP/IP, Modbus/TCP			
Network standards	IEEE802.11b i IEEE802.11g			
Frequency range	2.412 - 2.484 GHz			
Range	Up to 100m indoors			
Security	WEP 64/128, WPA-PSK, TKIP, AES end-to-end encryption			
Maximum receiver level	-10dBm (with PER < 8%)			

### PROTECTION DEGREE

Protection degree	IP41	IP65	IP65
Luminosity	Indoor	Indoor	Outdoor
Models	DN-109/nSNW DN-109/nDNW	DN-109e/nSNW DN-109e/nDNW	
n= digits	DN-119/nSNW DN-119/nDNW DN-129/nSNW DN-129/nDNW DN-189/nSNW DN-189/nDNW	DN-119e/nSNW DN-119e/nDNW	DN-119eh/nSNW DN-119eh/nDNW DN-189eh/nSNW DN-189eh/nDNW

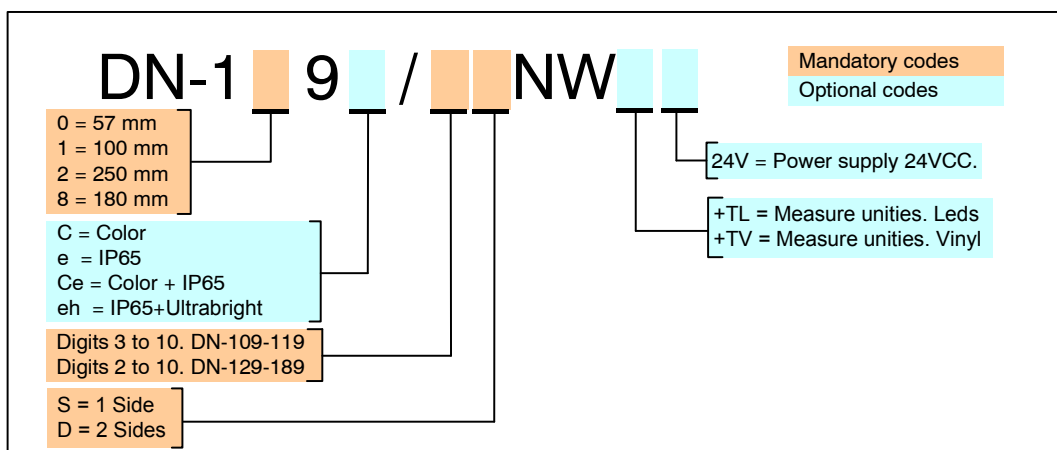
### PROTECTION DEGREE - COLOUR

Protection degree	IP41	IP65
Luminosity	Indoor	Indoor
Models	DN-109C/nSNW DN-109C/nDNW	DN-109Ce/nSNW DN-109Ce/nDNW
n= digits	DN-119C/nSNW DN-119C/nDNW	DN-119Ce/nSNW DN-119Ce/nDNW

### Display configuration

The displays includes two push buttons to configure the display protocol, transmission specifications and to read the MAC code.

### Part number. (Details)



### EXAMPLES:

#### DN-109/4DNW

4 digits, DN-109 series display, two faces.

#### DN-119/5SNW+TL rpm

5 digits, DN-119 series display, one face.

Text option: rpm.

Protection degree IP65.

#### DN-119Ce/6SNW

6 Digits, DN-119 series, one face.

Red/green/yellow colour display digits. Protection degree IP65.

**LARTET** ®

