

DT-203NP
DT-105NP
DT-106NP
DT-110NP
DT-111NP

Message display from 1 to 8 lines.
 Characters of 30, 50 or 100mm in height.
 One or two display sides.
 Control Profibus DP Slave



Characteristics

Message display designed to be used in industrial environment.
 Real time clock: Seconds / Minutes / Hours / Days / Month / Year. It is adjustable by two push buttons. The clock is NiMH battery backup, which lasts approximately one month.
 Profibus DP automatic baud rate detection.
 GSD file provided.
 Option: Relative humidity and temperature sensor.

Perfect visibility

DT-203, DT-105/106 and DT-110/111 are big size displays. Red led colour display of 30, 50 or 100mm character in height. These features make them readable in almost any light environment from up to 15m (DT-203), 25m (DT-105/106) or 50m (DT-110/111). They are available in one or two displaying sides and from 1 to 8 lines.

Applications

Display of any message from a PLC, production rates, alphanumeric readouts, maximum 16 variables per line.
 Display of messages from internal memory or from the Profibus network.

Message edition

Editing and saving messages on the display.

Messages are edited by PC with the TDL software. Applications in which the display receive the complete message by the Ethernet serial line you may store only de message 0, because message 0 is used at the display start up.

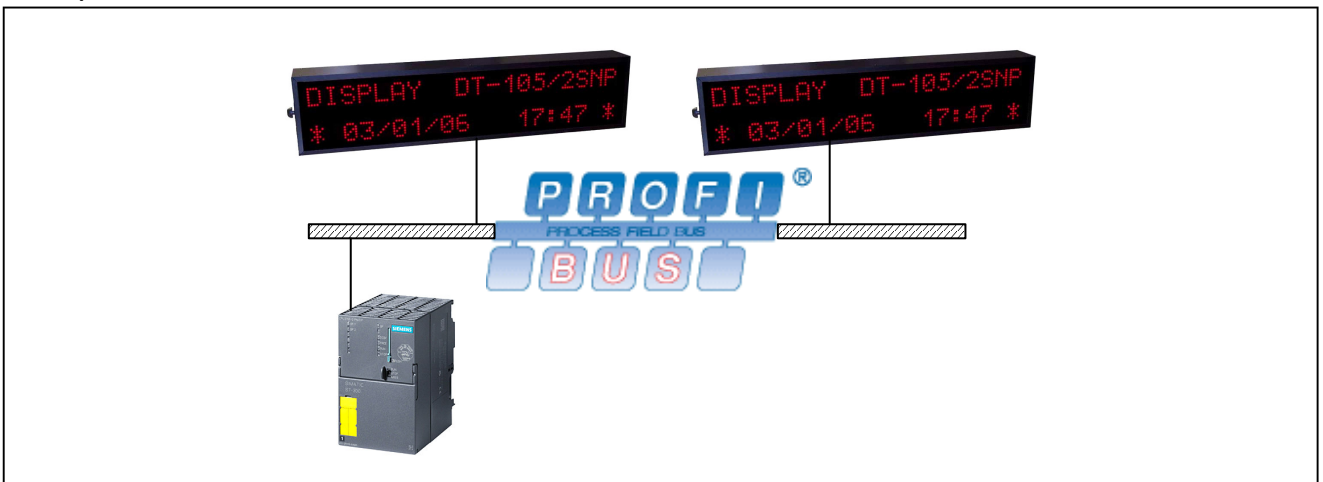
Recording messages.

Messages edited by PC are sent to display by RS-232 serial line and the remain saved in a Eeprom memory. Batteries are not needed for message maintenance.

Working order

The DT-NE may be controlled in two ways: Sending by the Profibus line the complete message or only the message number.
 Before to transmit the first block you must check the display parameters: Address and Protocol.

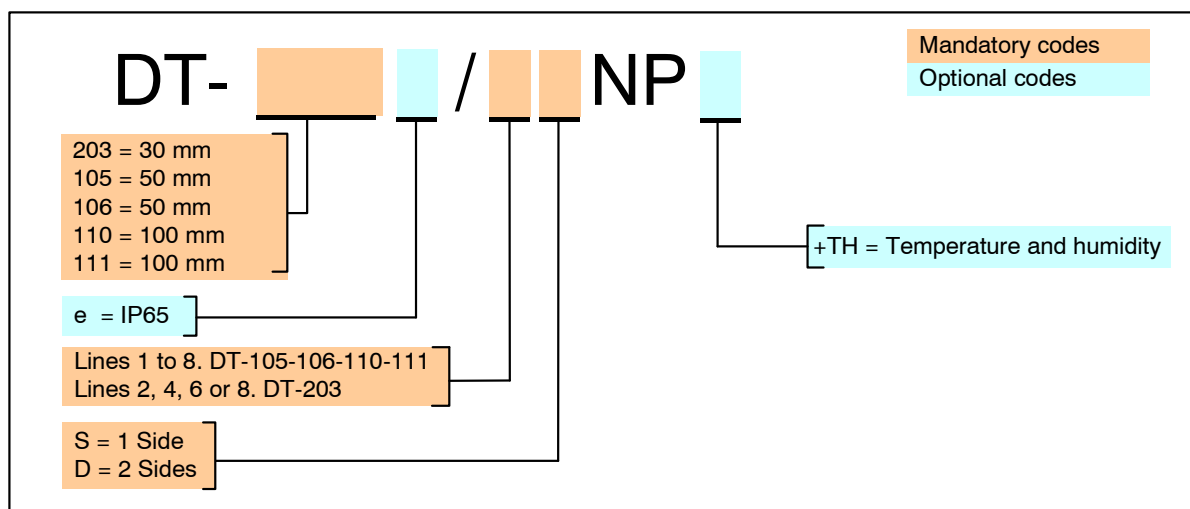
Example



Specifications

Model	DT-203		DT-105 y DT-106		DT-110 y DT-111	
n = Number of lines	DT203/nSNP	DT203/nDNP	DT-105/nSNP DT-106/nSNP	DT-105/nDNP DT-106/nDNP	DT-110/nSNP DT-111/nSNP	DT-110/nDNP DT-111/nDNP
Number of sides	1	2	1	2	1	2
Control	Profibus DP 12Mhz.					
Connector	Profibus					
Number of lines	2,4,6 or 8 lines		1 to 8 lines			
Character/line	20 characters		6, 13 or 20 characters			
Display matrix	LED, 5 x 7 dot matrix					
Character height	30mm		50mm		100mm	
Reading distance	15 mètres		25 mètres		50 mètres	
Maximum environmental lighting	1000 lux		DT-105 = 1000 lux. DT-106 = Outdoor		DT-110 = 1000 lux. DT-111 = Outdoor	
Power supply	100VAC to 240VAC 50/60Hz					
Dimensions 1 line	Not available		985 x 118 x 120 mm		1886 x 165 x 120 mm	
Dimensions 2 lines	615 x 170 x 120 mm		985 x 224 x 120 mm		1886 x 378 x 120 mm	
Dimensions 3 lines	Not available		985 x 330 x 120 mm		1886 x 591x 120 mm	
Dimensions 4 lines	615 x 317 x 120 mm		985 x 436 x 120 mm		1886 x 805 x 120 mm	
Dimensions 5 lines	Not available		985 x 542 x 120 mm		1886 x 1018x 120 mm	
Dimensions 6 lines	615 x 464 x 120 mm		985 x 648 x 120 mm		1886 x 1232 x 120 mm	
Dimensions 7 lines	Not available		985 x 754 x 120 mm		1886 x 1445 x 120 mm	
Dimensions 8 lines	615 x 611 x 120 mm		985 x 860 x 120 mm		1886 x 1659 x 120 mm	
Dimensions 6 characters	Not available		375 x 118 x 120 mm		666 x 165 x 120 mm	
Dimensions 13 characters	Not available		680 x 118 x 120 mm		1276 x 165 x 120 mm	
Protection degree	DT-203 = IP41 DT-203e = IP65		DT-105 = IP41 DT-106 = IP54 DT-105e = IP65 DT-106e = IP65		DT-110 = IP41 DT-111 = IP54 DT-110e = IP65 DT-111e = IP65	
Max. number of messages	512 messages					
Max. Length of the message	160 characters					
Messages memory	EEPROM 32kB					
Case/display	Aluminium section in black. Display in extruded antireflex methacrilate					
Humidity + temperature accuracy	Temperature $\pm 0,5^{\circ}\text{C}$ at 25°C . Humidity $\pm 3,5\%$ between 30% and 70%.					

Part number. (Details)



Examples:

DT-203/2SNP

2 lines, DT-203 series display, one face. Control Profibus DP

DT-105/3DNP+TH

3 lines, DT-105 series display, two faces. Control Profibus DP and temperature and humidity option.