

**DN-109NP**  
**DN-119NP**  
**DN-129NP**  
**DN-189NP**

Digits of 57, 100, 250 and 180mm height.  
 Profibus DP Slave.  
 From 3 to 10 digits, 1 or 2 displaying sides.



### Suited for these applications

Production counting and display.  
 Any variable from a PLC, counters, RPM, temperature.

### Perfect viewing

DN-109NP, DN-119NP, DN-129 and DN-189NP have a very good visibility. They can be read up to 30, 50, 120 and 90 meters .

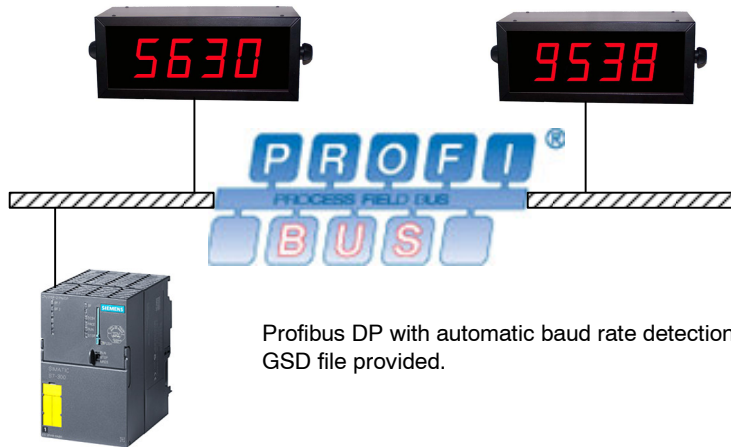
### Option to display the measures unities

Several measure unities can be permanently displayed: Kg, Tm, °C, mV, m/s, l/s, or any other unity, as the consumer desires, up to three characters.

Characters are made in high quality vinyl according with the display height. For the DN-109 and DN-119 leds may be used instead vinyl.

### Colour version.

Models DN-109 and Dn-119 are available in a tricolour version red, yellow and green, auto-adjustable depending on displays value or by a control command from the network.



Profibus DP with automatic baud rate detection.  
 GSD file provided.



## Dimensions

Digits	2	3	4	5	6	7	8	9	10
<b>DN-109</b> Height = 122mm      Depth = 120mm									
Width in mm		210	288	288	336	382	430	478	526
Width + Option text in mm		288	336	382	430	478	526	574	622
<b>DN-119</b> Height = 175mm      Depth = 120mm									
Width in mm		324	414	504	594	684	774	864	954
Width + Option text in mm		504	594	684	774	864	954	1044	1134
<b>DN-129</b> Height = 366mm      Depth = 120mm									
Width in mm	515	750	985	1220	1455	1690	1925	2160	2395
Width + Option text in mm	985	1220	1455	1690	1925	2160	2395	2630	2865
<b>DN-189</b> Height = 251mm      Depth = 120mm									
Width in mm	340	500	660	820	980	1140	1300	1460	1620
Width + Option text in mm	660	820	980	1140	1300	1460	1620	1780	1940

**GENERAL SPECIFICATIONS**

	DN-109	DN-119	DN-129	DN-189
Numeric display Height	57mm	100mm	250mm	180mm
Unity of mesures text Height (optional)	45mm	60mm	vinyl only	vinyl only
Visibility	30 meters	50 meters	120 meters	90 meters
Valid characters	0 a 9, A,b,C,c,d,E,F,H,h,i,J,L,n,o,P,r,U,u [espace],=, [point],uppers., unders.			
Maximum environmental illumination	1000 lux			
Maximum environmental lighting. Models (eh)	No applicable	Outdoor	No applicable	Outdoor
Colour. Red/Green/Yellow	Applicable	Applicable	No applicable	No applicable
Supply voltage	100VAC to 240VAC 50/60Hz. Option 24VCC			
Display sides	One or two			
Housing	Rugged aluminum extrusion			
Mounting	Wall or suspension			
Protocols	PROFIBUS DP Slave 12MHz			

**PROTECTION DEGREE**

Protection degree	IP41	IP65	IP65
Luminosity	Indoor	Indoor	Outdoor
Models	DN-109/nSNP DN-109/nDNP	DN-109e/nSNP DN-109e/nDNP	DN-119eh/nSNP DN-119eh/nDNP
n= digits	DN-119/nSNP DN-119/nDNP DN-129/nSNP DN-129/nDNP DN-189/nSNP DN-189/nDNE	DN-119e/nSNP DN-119e/nDNP	DN-189eh/nSNP DN-189eh/nDNP

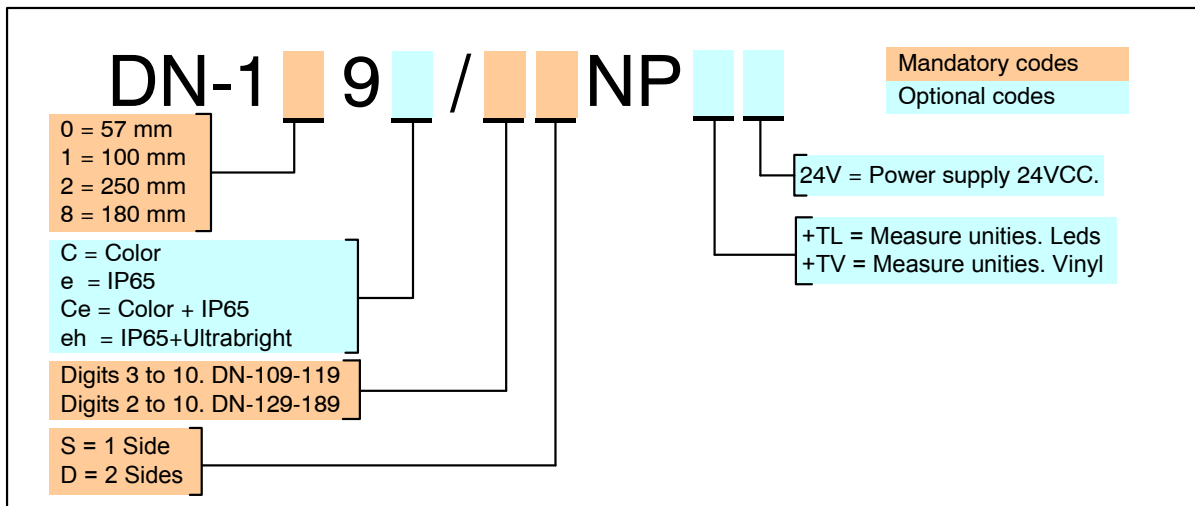
**PROTECTION DEGREE - COLOUR**

Protection degree	IP41	IP65
Luminosity	Indoor	Indoor
Models	DN-109C/nSNP DN-109C/nDNP	DN-109Ce/nSNP DN-109Ce/nDNP
n= digits	DN-119C/nSNP DN-119C/nDNP	DN-119Ce/nSNP DN-119Ce/nDNP

**Display configuration**

The displays includes two push buttons to configure the display address, the data type, time without reception and decimal point position.

**Part number. (Details)**



**EXAMPLES:**

**DN-109/4DNP**

4 Digits, DN-109 series display, two sides.

**DN-109C/3SNP**

3 Digits, DN109 series display, tricolour, one side.

**DN-119eh/5SNP+TL "m/m"**

5 Digits, DN-119 series display, one side. Protection degree IP65. Outdoor luminosity. Fixed text "m/m" in red leds.