

DN-109TH DN-119TH DN-129TH DN-189TH



Digits of 57, 100, 250 or 180mm in height.
 Temperature and humidity display.
 Probe protection: IP67
 Temperature format: 23.4 °
 Humidity format: H 56 %.
 1 or 2 displaying sides.

Application field.

The DN-109TH/DN-119TH/DN-129TH/DN-189TH are large displays that can show the relative humidity and temperature of environmental, freezers and refrigerators, storage rooms,

The probe has IP67 protection.



Perfect visibility .

DN-109TH, DN-119TH, DN-129TH and DN-189TH have a very good visibility. Digits of DN-109TH are 57mm height, digits of DN-119TH are 100mm, digits of DN-129TH are 250mm and digits of DN-189TH are 180mm. These features makes them readable in almost any light environment from up to 25 and 120m.

Indoor displays will not be installed in places where the level of illumination is greater than 1000 lux.

If a protection degree IP65 is needed then it is available the models DN-119e(h)/TH and DN-189e(h)/TH .

Protection degree.

Protection IP41, for industrial environment .

Models DN-109e(h)/TH and DN-119e(h)/TH with IP-65 protection for per outdoor environment.

Probe characteristics.

Thermometer: Precision: $\pm 0,5^{\circ}\text{C}$ at 25°C .

Resolution: $0,1^{\circ}\text{C}$.

Temperature range: -20°C to 80°C

Hygrometer: Precision: $\pm 3,5\%$ between 30% and 70%

Resolution: 1%

Humidity range: 0% to 99%

Protection degree: IP67

GENERAL SPECIFICATIONS

	DN-109TH	DN-119TH	DN-129TH	DN-189TH
Numeric display Height	57mm	100mm	250mm	180mm
Visibility	30 meters	50 meters	120 meters	90 meters
Supply voltage	100VAC to 240VAC 50/60Hz . Option 24VCC			
Display sides	One or two			
Mesures	288x122x120	414x175x120	985x366x120	660x251x120
Housing	Rugged aluminum extrusion			
Protection degree	IP-41 or IP-65		IP-41	IP-41 or IP-65
Mounting	By lateral supports that allow assembly in the wall or suspended			
Functions	1- Temperature, 2- Humidity, 3- Temperature and humidity alternating			
Setting parameters	By pushbuttons			

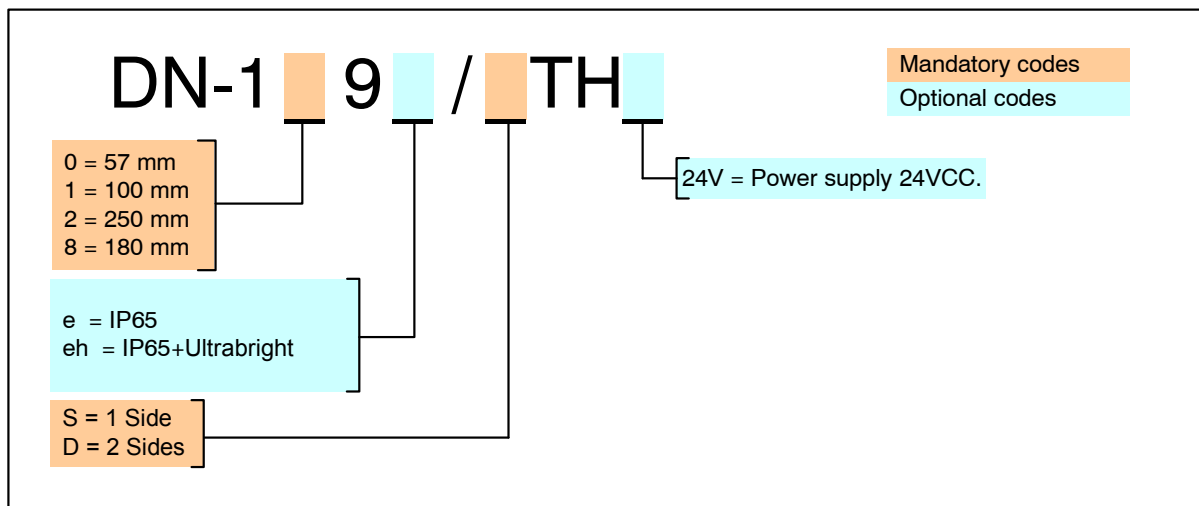
Specifications

Power supply	100VAC to 240VAC 50/60Hz . Option 24VCC
Case material	Aluminum extruded
Mounting	Wall or suspension
Display	Red led
Frontal	Methacrylate
Back	PVC
Operating temperature	0° a 50°C

Protection degree and luminosity

Protection degree	IP41	IP65	IP65
Luminosity	Indoor	Indoor	Outdoor
Models	DN-109/STH DN-109/DTH DN-119/STH DN-119/DTH DN-129/STH DN-129/DTH DN-189/STH DN-189/DTH	DN-109e/STH DN-109e/DTH DN-119e/STH DN-119e/DTH DN-189e/STH DN-189e/DTH	DN-119eh/STH DN-119eh/DTH DN-189eh/STH DN-189eh/DTH

Model referents



EXAMPLES:

DN-109/STH

Display DN-109TH , one side,
Protection degree IP41, power supply 220VAC.

DN-119eh/DTH24V

Display DN-119TH , two sides,
Protection degree IP65, ultra bright luminosity , power supply 24VCC

