

SERIE DN-107/3

Numeric display in shape of a cube with four sides and three digits of **57 mm**.

Parallel control from PLC.



Characteristics

Display information related to a machine.

The display features are perfect to guide the machine operator with signs of alarm, warning, breakdown, etc, which are displayed at the bottom of the machine.

It is controllable by all PLC with digital outputs of NPN, PNP or CONTACT types.

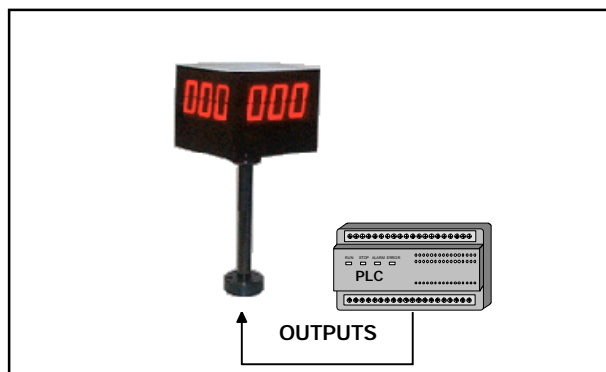
Perfect visibility.

DN-107/3B display has an exceptional visibility, It can be read from 30 meters and 360° around it, thanks to its good contrast and its big sized digits of 57mm.

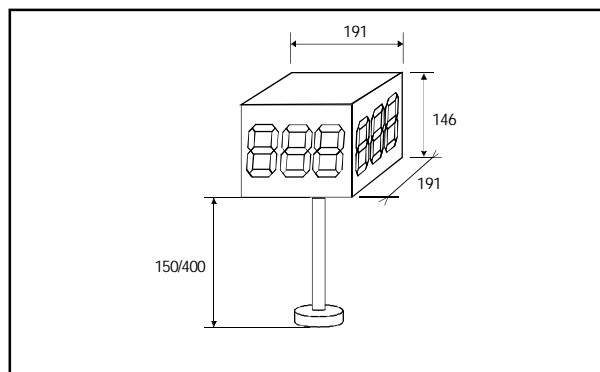
Control.

Multiplexed control. It is necessary seven outputs from PLC. Fours outputs are used for the digital value. Two outputs are used for the digit address and one output is used for the Strobe.

Applications



Dimensions



Specifications

Modelo	DN-107/3B	DN-107/3B-115	DN-107/3B-230
Number of sides		4 sides	
Number of digits / sides		3 digits	
Display	7 segments, red color		
Height of the digit	57mm		
Characters	0,1,2,3,4,5,6,7,8,9,A,B,C,D,-, Space		
Reading distance	30m		
Maximum lighting	1000 lux		
Dimensions	191 x 191 x 146 mm		
Weight	1,8kg approximately	2,3kg approximately	
Bottom	150 mm / 400 mm		
material	Metacrilat		
Frontal protection degree	IP-43		
Power supply	24 VDC (+/-20%) / 24VAC (+/-10%) 50 / 60 Hz	115VAC (+/-10%) 50 / 60 Hz	230VAC (+/-10%) 50 / 60 Hz
Current	1A	300mA	150mA
Auxiliar power supply for inputs	12VDC		
Level of inputs	12 to 26 VDC, 10mA		
Polarity the inputs	Non polarity,NPN, PNP or CONTACT		