

DN-109X DN-119X DN-129X DN-189X

Digits of 57, 100, 250 and 180mm height.
 RS-232 / RS-485 serial interface.
 From 3 to 10 digits, 1 or 2 displaying sides.



Application field

It shows data of internal registers from a PLC.
 It displays data created from a PC.
 It displays in big letters the lecture of voltmeter, temperature regulators, process controllers, etc.
 It displays data of users equipment based on microprocessors with RS-232 and RS-485 serial line, such as large scales, electromedecine equipments, etc.
 Connection to Modbus (soon with other buses).
 If Host-Link Omron protocol is used, the RS-422 option will be necessary .

Perfect viewing

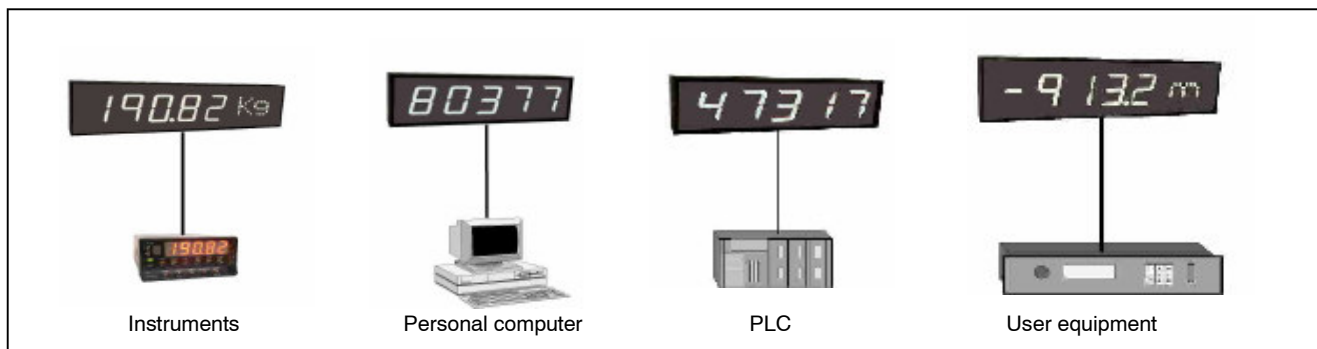
DN-109X, DN-119X ,DN-129 X and DN-189X has a very good visibility.
 It can be read up to 30, 50 ,120 and 90 meters thanks to its good contrast and to the big size of its 100mm digits. It is not advisable to set it in places where it can be affected by direct sunlight, rain or wind.

Option to display the measures unities

Several measure unities can be permanently displayed: Kg, Tm, °C, mV, m/s, l/s, or any other unity, as the consumer desires, up to three characters.

Colour option

Colour option is available on models DN-109 and DN-119. It allows to display colours red, green or yellow. Colour automatically changes according to display's value.



Dimensions

Dígits	2	3	4	5	6	7	8	9	10
DN-109 Height = 122mm Depth = 120mm									
Width in mm		210	288	288	336	382	430	478	526
Width + Option text in mm		288	336	382	430	478	526	574	622
DN-119 Height = 175mm Depth = 120mm									
Width in mm		324	414	504	594	684	774	864	954
Width + Option text in mm		504	594	684	774	864	954	1044	1134
DN-129 Height = 366mm Depth = 120mm									
Width in mm	515	750	985	1220	1455	1690	1925	2160	2395
Width + Option text in mm	985	1220	1455	1690	1925	2160	2395	2630	2865
DN-189 Height = 251mm Depth = 120mm									
Width in mm	340	500	660	820	980	1140	1300	1460	1620
Width + Option text in mm	660	820	980	1140	1300	1460	1620	1780	1940

GENERAL ESPECIFICATIONS

	DN-109	DN-119	DN-129	DN-189
Numeric display Height	57mm	100mm	250mm	180mm
Unity of mesures text Height (optional)	45mm	60mm	vinyl only	vinyl only
Viewing	30 meters	50 meters	120 meters	90 meters
Characters distribution	0 a 9, A,b,C,c,d,E,F,H,h,i,J,L,n,o,P,r,U,u [espace] and [point]			
Maximum environmental lighting	1000 lux			
Maximum environmental lighting. Models (eh)	No applicable	Outdoor	No applicable	Outdoor
Colour. Red/Green/Yellow	Applicable	Applicable	No applicable	No applicable
Power supply	100VAC to 240VAC 50/60Hz.. Option 24VCC			
N° of displaying sides	One or two			
Box	Aluminum extruded			
Assembly by lateral supports	Which fix to a surface or let in hung			
Protocols	Ditel, ISO1745, Modbus, ASCII, Host-Link, S7-200,others			

PROTECTION DEGREE

Protection degree	IP41	IP65	IP65
Luminosity	Indoor	Indoor	Outdoor
Models	DN-109/nSX DN-109/nDX	DN-109e/nSX DN-109e/nDX	DN-119eh/nSX DN-119eh/nDX
n= digits	DN-119/nSX DN-119/nDX DN-129/nSX DN-129/nDX DN-189/nSX DN-189/nDX	DN-119e/nSX DN-119e/nDX DN-189e/NX DN-189e/NX	DN-119eh/nSX DN-119eh/nDX DN-189eh/NX DN-189eh/NX

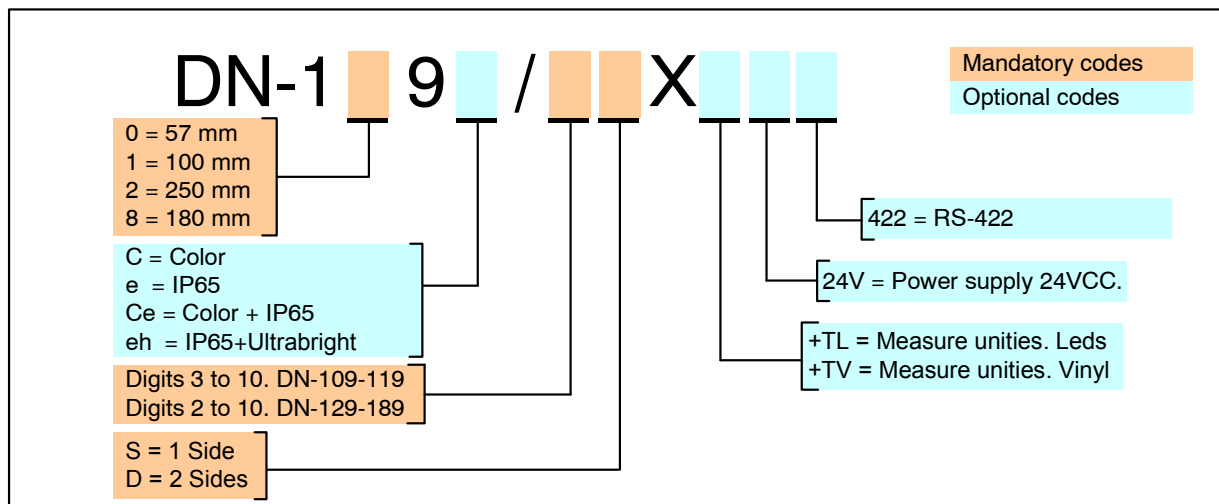
PROTECTION DEGREE - COLOUR

Protection degree	IP41	IP65
Luminosity	Indoor	Indoor
Models	DN-109C/nSX DN-109C/nDX	DN-109Ce/nSX DN-109Ce/nDX
n= digits	DN-119C/nSX DN-119C/nDX	DN-119Ce/nSX DN-119Ce/nDX

CONFIGURATION SERIAL LINE INTERFACE

The displays includes two push bottoms to configure the protocol and the transmission characteristics: baud rate, parity, data bits and stop bits.

Part number (Details)



EXAMPLES:

DN-109/4DX

4 digits, DN-109 series display, two faces.

DN-119/5SX+TV "m/m"

5 digits, DN-119 series display, one face.
Text option: "m/m" in vinyl

DN-119Ce/6SX

6 Digits, DN-119 series, one face.
Red/green/yellow colour display digits. Protection degree IP65.

LARTET ®

