

## DN-109AP DN-119AP DN-129AP DN-189AP

Digits size of 57, 100, 250 or 180mm.  
 Analog input process signal  
 From 3 to 5 digits, 1 or 2 displaying sides.  
 Protection degree IP41 or IP65.



### Application field

They are most often used to show any instrument analog output voltage in the range  $\pm 10V$  (0-10V, 0-5V, 0-1V, 1-5V), or analog output current in the range  $\pm 20mA$  (0-1mA, 0-5mA, 0-20mA, 4-20mA). They are easily configurable with 3 pushbuttons or with a PC if the serial line option is present. But, because they are scalable, they can be used to show any physical measurement in your process.

All equipment is factory completely calibrated with data stored in non erasable memory without use of adjustment potentiometers

### Perfect viewing

The four big digit sizes available offer a great range of viewing distance, from 30 to 120m.

### Colour option

Available for models DN-109 and DN-119. It lets you to choose the display colour depending on the input value. The valid colours are: Red, green and yellow.



### Serial line option

The serial line option (RS-232C/RS-485) lets you to program or to read actual display value. The available parameters are: Baud rate, Parity, Data bits, Stop bits and Display address.

### Dual relay output option

Two programmable relay output are available. Selectable HI or LO. Delay time or hysteresis adjustable.

### Option to display the measures unities

Several measure unities can be permanently displayed: Kg, Tm, °C, mV, m/s, l/s, or any other unity, as the consumer desires, up to three characters.

## Dimensions

Digits	3	4	5
<b>DN-109 High = 122mm Depth = 120mm</b>			
Width in mm	210	288	288
Width + Text option	288	336	382
DN-109/D (2 sides)	288	288	288
<b>DN-119 High = 177mm Depth = 120mm</b>			
Width in mm	324	414	504
Width + Text option	504	594	684
<b>DN-129 High = 366mm Depth = 120mm</b>			
Width in mm	750	985	1220
Width + Text option	1220	1455	1690
<b>DN-189 High = 251mm Depth = 120mm</b>			
Width in mm	500	660	820
Width + Text option	820	980	1140

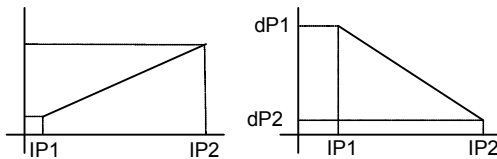
## General specifications

Power supply	230V AC(±10%)
Case material	Aluminum extruded
Mounting	Wall or suspension
Display	Color red or red/green/yellow
Frontal	Methacrylate
Back	PVC
Operating temperature	0° a 50°C

## Display format

	3 Digits	4 Digits	5 Digits
Resolution	-199/999	-1999/9999	-19999/99999
Overrange	-OE / OuE	-OuE / OuE	-OuE/OuE

## Direct or inverse relation



## Analog / digital converter

A/D conversion technique	Sigma-Delta	
A/D conversion resolution	16 bits	
A/D conversion rate	25/ s	
Entrada Procés	Tensió	Corrent
Marge	±10V DC	±20mA DC
	0 - 1V	0 - 1 mA
	0 - 5V	0 - 5 mA
	1 - 5V	0 - 20 mA
	0 - 10V	4 - 20 mA
Resolució	0,5 mV	5 µA
Impedància entrada	1 M Ohm	12.1 Ohm
Error màxim	±(0,1% lectura + 3 dígits)	
Coefficient de temperatura	100 ppm / °C	
Temps escalfament	5 minuts	
Excitació sortida	24V DC 100 mA	

## Protection degree and luminosity

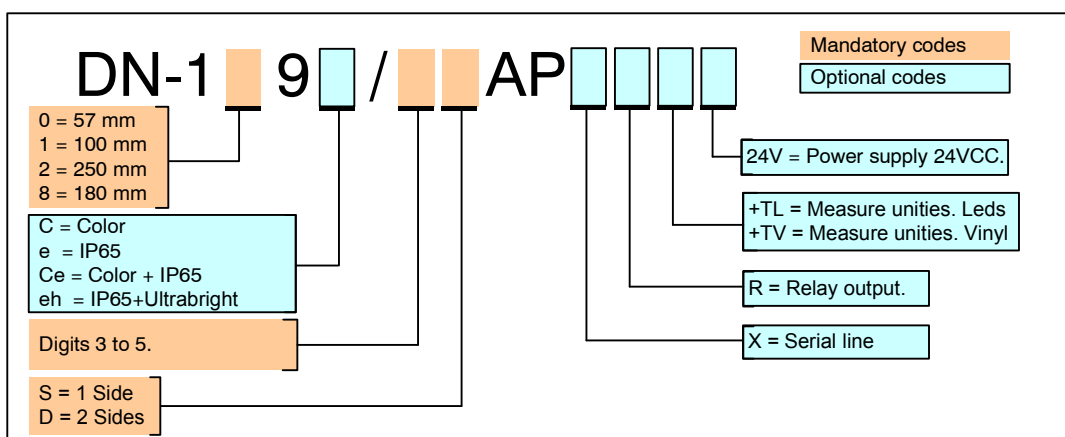
### DEGRÉ DE PROTECTION

Degré de protection	IP41	IP65	IP65
Luminosité	Intérieur	Intérieur	Extérieur
Modèles	DN-109/nSAP DN-109/nDAP	DN-109e/nSAP DN-109e/nDAP	
n= digits	DN-119/nSAP DN-119/nDAP DN-129/nSAP DN-129/nDAP	DN-119e/nSAP DN-119e/nDAP	DN-119eh/nSAP DN-119eh/nDAP
	DN-189/nSAP DN-189/nDAP	DN-189e/nSAP DN-189e/nDAP	DN-189eh/nSAP DN-189eh/nDAP

### DEGRÉ DE PROTECTION - COULEUR

Degré de protection	IP41	IP65
Luminosité	Intérieur	Intérieur
Modèles	DN-109C/nSAP DN-109C/nDAP	DN-109Ce/nSAP DN-109Ce/nDAP
n= digits	DN-119C/nSAP DN-119C/nDAP	DN-119Ce/nSAP DN-119Ce/nDAP

## Model reference



## EXAMPLES:

### DN-109/4DAP

Process input signal 4 digits display DN-109 of two sides.

### DN-119e/5SAP+TL rpm

Process input signal 5 digits display DN-119 of one side.  
Text leds option. Text: rpm.  
Protection degree IP65.

### DN-119Ce/3SAP

3 Digits, DN-119 series, one face.  
Red/green/yellow colour display digits. Protection degree IP65.

**LARTET** ®

