

DN-109AP DN-119AP DN-129AP

Digits size of 57, 100 or 250mm.
 Analog input process signal
 From 3 to 5 digits, 1 or 2 displaying sides.
 Protection degree IP41 or IP65.



Application field

They are most often used to show any instrument analog output voltage in the range $\pm 10V$ (0-10V, 0-5V, 0-1V, 1-5V), or analog output current in the range $\pm 20mA$ (0-1mA, 0-5mA, 0-20mA, 4-20mA). They are easily configurable with 3 pushbuttons or with a PC if the serial line option is present. But, because they are scalable, they can be used to show any physical measurement in your process.

All equipment is factory completely calibrated with data stored in non erasable memory without use of adjustment potentiometers

Perfect viewing

The three big digit sizes available offer a great range of viewing distance, from 30 to 100m.

Colour option

Available for models DN-109 and DN-119. It lets you to choose the display colour depending on the input value. The valid colours are: Red, green and yellow.



Serial line option

The serial line option (RS-232C/RS-485) lets you to program or to read actual display value. The available parameters are: Baud rate, Parity, Data bits, Stop bits and Display address.

Dual relay output option

Two programmable relay output are available. Selectable HI or LO . Delay time or hysteresis adjustable.

Option to display the measures unities

Several measure unities can be permanently displayed: Kg, Tm, °C, mV, m/s, l/s, or any other unity, as the consumer desires, up to three characters.

Dimensions

DIMENSIONS DN-109/AP, DN-109C/AP, DN-109e/AP and DN-109Ce/AP

High= 122mm		Depth= 120mm		
N° digits		3	4	5
Width en mm		210	288	288
Width+Option text		288	336	382
	DN-109/D (2 sides)	288	288	288

DIMENSIONS DN-119/AP, DN-119C/AP, DN-119e/AP, DN-119CE/AP and DN-119eh/AP

High= 177mm		Depth= 120mm		
N° digits		3	4	5
Width en mm		324	414	504
Width+Option text		504	594	684

DIMENSIONS DN-129/AP

High= 366mm		Depth= 120mm		
N° digits		3	4	5
Width en mm		750	985	1220
Width+Option text		1220	1455	1690

General specifications

Power supply	230V AC(±10%)
Case material	Aluminum extruded
Mounting	Wall or suspension
Display	Color red or red/green/yellow
Frontal	Methacrylate
Back	PVC
Operating temperature	0° a 50°C

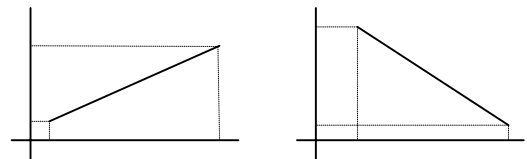
Display format

	3 Digits	4 Digits	5 Digits
Resolution	-199/999	-1999/9999	-19999/99999
Overrange	-OE / OuE	-OuE / OuE	-OuE/OuE

Analog / digital converter

A/D conversion technique	Sigma-Delta	
A/D conversion resolution	16 bits	
A/D conversion rate	25/ s	
Entrada Procés	Tensió	Corrent
Marge	±10V DC	±20mA DC
	0 - 1V	0 - 1 mA
	0 - 5V	0 - 5 mA
	1 - 5V	0 - 20 mA
	0 - 10V	4 - 20 mA
Resolució	0,5 mV	5 µA
Impedància entrada	1 M Ohm	12.1 Ohm
Error màxim	±(0,1% lectura + 3 dígits)	
Coefficient de temperatura	100 ppm / °C	
Temps escalfament	5 minuts	
Excitació sortida	24V DC 100 mA	

Direct or inverse relation



Protection degree and luminosity

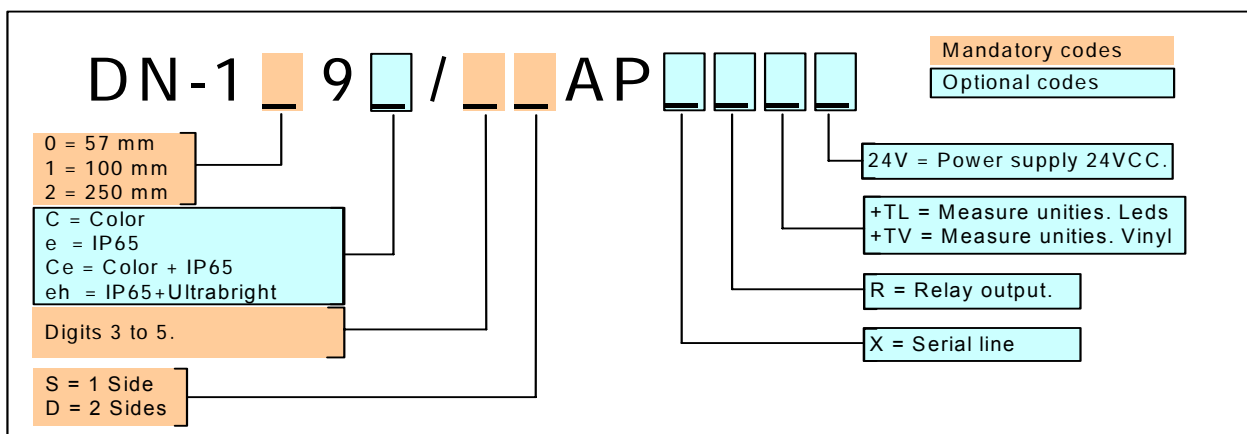
PROTECTION DEGREE

Protection degree	IP41	IP65	IP65
Luminosity	Indoor	Indoor	Outdoor
Models	DN-109/nSAP DN-109/nDAP	DN-109e/nSAP DN-109e/nDAP	DN-119eh/nSAP DN-119eh/nDAP
n= digits	DN-119/nSAP DN-119/nDAP DN-129/nSAP DN-129/nDAP	DN-119e/nSAP DN-119e/nDAP	

PROTECTION DEGREE - COLOUR

Protection degree	IP41	IP65
Luminosity	Indoor	Indoor
Models	DN-109C/nSAP DN-109C/nDAP	DN-109Ce/nSAP DN-109Ce/nDAP
n= digits	DN-119C/nSAP DN-119C/nDAP	DN-119Ce/nSAP DN-119Ce/nDAP

Model reference



EXAMPLES:

DN-109/4DAP

Process input signal 4 digits display DN-109 of two sides.

DN-119e/5SAP+TL rpm

Process input signal 5 digits display DN-119 of one side.
Text leds option. Text: rpm.
Protection degree IP65.

DN-119Ce/3SAP

3 Digits, DN-119 series, one face.
Red/green/yellow colour display digits. Protection degree IP65.

LARTET ®

