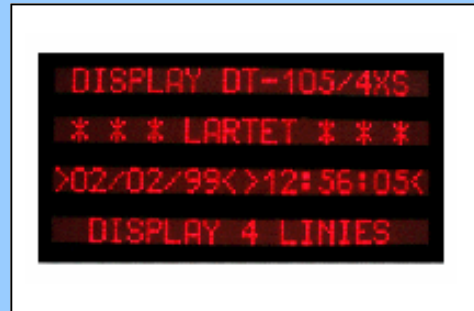


**DT-203X**  
**DT-105X**  
**DT-106X**  
**DT-110X**  
**DT-111X**



Message display from 1 to 8 lines.  
 6, 13 or 20 characters of **30, 50 or 100mm** height.  
 One or two display sides.  
 Control by RS-232 / RS-485 serial interface.

### Characteristics

Message display designed to be used in industrial environment.

Real time clock: Seconds / Minutes / Hours / Days / Month / Year.  
 It is adjustable by two push buttons. The clock is NiMH battery backup, which lasts approximately one month.

**Option:** Relative humidity and temperature sensor.

### Perfect visibility

DT-203, DT-105/106 and DT-110/111 are big size displays. Red led colour display of 30, 50 or 100mm character height. These features make them readable in almost any light environment from up to 15m(DT-203), 25m(DT-105/106) or 50m (DT-110/111). They are available in one or two displaying sides and from 1 to 8 lines.

### Applications

To display any message from a PC, production rates, Scada software (LabView), alphanumeric readouts.  
 To display any data from a PLC: Temperature, engine RPM, alarm messages.

### Message edition

#### Editing and saving messages on the display.

Messages are edited by PC with the TDLWin software. Applications in which the display receive the complete message from the serial line you may store only de message 0, because message 0 is used at the display start up.

#### Recording messages.

Messages edited by PC are sent to display by serial line and the remain saved in a Eeprom memory. Batteries are not needed for message maintenance.

### Operation

DT-X are run by a PC, a PLC or any device with a RS-232 or RS-485 serial output. Using the serial line RS-232 the maximum working distance is up to 10m, while using the serial line RS-485 is up to 1000m.

Transmission protocols:

Some protocols are ready to use, select the protocol and run.

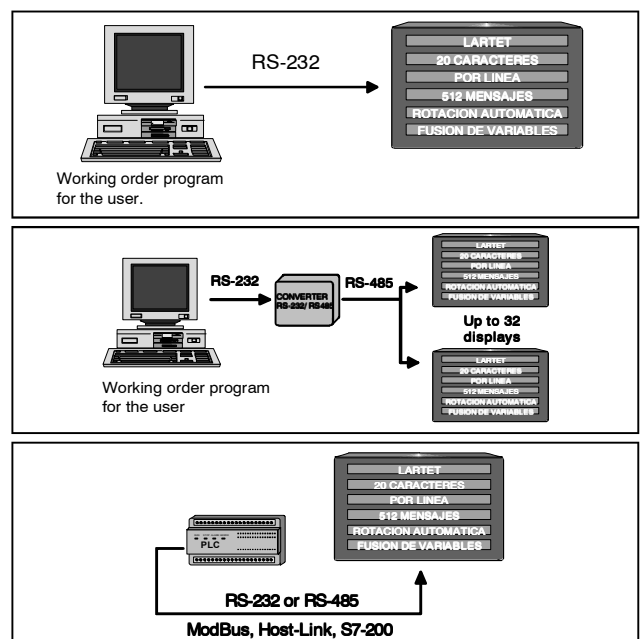
**Lartet Protocol:** The message sent remains in the buffer display, which saves the information until a new message arrives.

**ModBus protocol:** Follows the ModBus rules using RTU.

**ASCII protocol:** Is an easy protocol without CRC.

**Host-Link protocol:** To be used with Omron PLC's. It is possible to use the RS232 or RS-422 serial line but not the RS485. **To buy a display with RS422 serial line, this must be indicated on your order.**

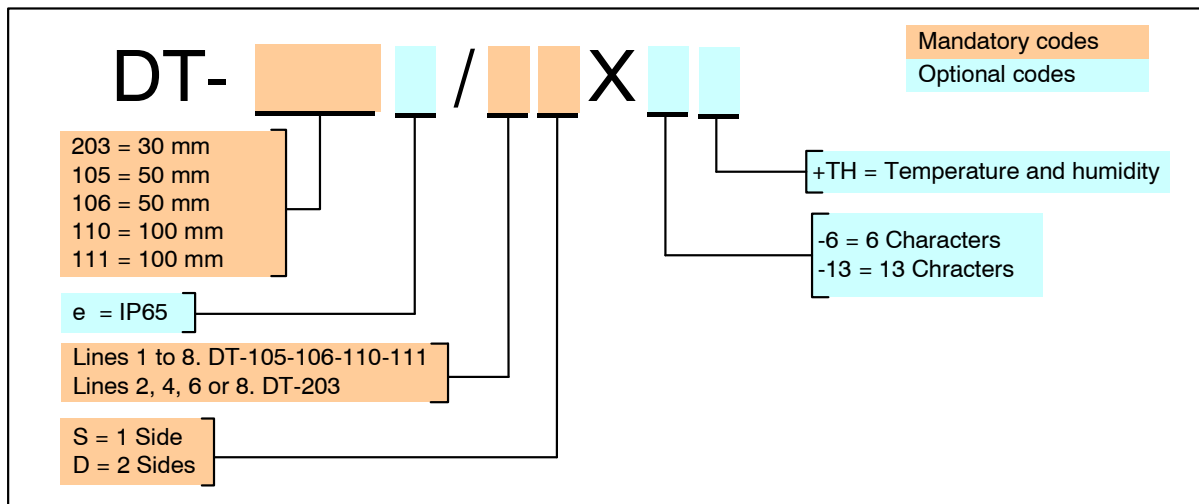
**S7-200 protocol:** To be used with S7-200 Siemens PLC's.



## Specifications

Model	DT-203		DT-105 and DT-106		DT-110 and DT-111	
n = Number of lines	DT203/nSX	DT203/nDX	DT-105/nSX DT-106/nSX	DT-105/nDX DT-106/nDX	DT-110/nSX DT-111/nSX	DT-110/nDX DT-111/nDX
Number of sides	1	2	1	2	1	2
Control	RS-232/RS-485					
Connector	DB9 plug					
Number of lines	2,4,6 or 8 lines		1 to 8 lines			
Character/line	20 characters		6, 13 or 20 characters			
Display matrix	LED, 5 x 7 dot matrix					
Character height	30mm		50mm		100mm	
Reading distance	15 mètres		25 mètres		50 mètres	
Maximum environmental lighting	1000 lux		DT-105 = 1000 lux. DT-106 = Outdoor		DT-110 = 1000 lux. DT-111 = Outdoor	
Power supply	100VAC to 240VAC 50/60Hz					
Dimensions 1 line	Not available		985 x 118 x 120 mm		1886 x 165 x 120 mm	
Dimensions 2 lines	615 x 170 x 120 mm		985 x 224 x 120 mm		1886 x 378 x 120 mm	
Dimensions 3 lines	Not available		985 x 330 x 120 mm		1886 x 591x 120 mm	
Dimensions 4 lines	615 x 317 x 120 mm		985 x 436 x 120 mm		1886 x 805 x 120 mm	
Dimensions 5 lines	Not available		985 x 542 x 120 mm		1886 x 1018x 120 mm	
Dimensions 6 lines	615 x 464 x 120 mm		985 x 648 x 120 mm		1886 x 1232 x 120 mm	
Dimensions 7 lines	Not available		985 x 754 x 120 mm		1886 x 1445 x 120 mm	
Dimensions 8 lines	615 x 611 x 120 mm		985 x 860 x 120 mm		1886 x 1659 x 120 mm	
Dimensions 6 characters	Not available		375 x 118 x 120 mm		666 x 165 x 120 mm	
Dimensions 13 characters	Not available		680 x 118 x 120 mm		1276 x 165 x 120 mm	
Protection degree	DT-203 = IP41 DT-203e = IP65		DT-105 = IP41 DT-106 = IP54 DT-105e = IP65 DT-106e = IP65		DT-110 = IP41 DT-111 = IP54 DT-110e = IP65 DT-111e = IP65	
Max. number of messages	512 messages					
Max. Length of the message	160 characters					
Messages memory	EEPROM 32kB					
Case/display	Aluminium section in black. Display in extruded antireflex methacrylate					
Humidity + temperature accuracy	Temperature $\pm 0,5^{\circ}\text{C}$ at $25^{\circ}\text{C}$ . Humidity $\pm 3,5\%$ between 30% and 70%.					
Operating temperature range	$0^{\circ}\text{C}$ to $50^{\circ}\text{C}$					

## Part number. (Details)



### Examples:

#### DT-203/2SX

2 lines, DT-203 series display, one face. Control serial line

#### DT-105/3DX+TH

3 lines, DT-105 series display, two faces. Control serial line and temperature and humidity option.

