

DT-203P
DT-105P
DT-106P
DT-110P
DT-111P

Message display from 1 to 8 lines.
 20 characters of 30, 50 or 100mm in height.
 One or two display sides.
 Control by digital inputs PNP, NPN 24VDC



Characteristics

Message display designed to be used in industrial environment.

Real time clock: Seconds / Minutes / Hours / Days / Month / Year.
 It is adjustable by two push buttons. The clock is NiMH battery backup, which lasts approximately one month.

Option: Relative humidity and temperature sensor.

Perfect visibility

DT-203, DT-105/106 and DT-110/111 are big size displays. Red led colour display of 30, 50 or 100mm character height.

These features make them readable in almost any light environment from up to 15m(DT-203), 25m(DT-105/106) or 50m(DT-110/111).

They are available in one or two displaying sides and from 1 to 6 lines.

Applications

To display any data from a PLC: Temperature, engine RPM, alarm messages.
 It can be connected to typical PLC relay or transistor outputs.

Message edition

Editing and saving messages on the display.

Messages are edited by PC with the TDLWin software. TDLWin may be downloaded from our web.

Recording messages.

Messages edited by PC are sent to display by serial line and the remain saved in a Eeprom memory. Batteries are not needed for message maintenance.

Operation

Message control

DT-P are run by PLC, with conventional digital outputs of any kind, NPN, PNP or contacts.

Protocol 512-M:

There are three different functions:

- Displaying a single message.
- Displaying all the linked messages in autonomous working order.
- Displaying multiple messages in memory.

The message are controlled by 14 inputs.

Each message needs a binary code. To control 512 messages 9 bits are needed.

Protocol 14M-1:

Each one of 14 inputs has a message associated. If more than one input is on all the linked messages are displayed.

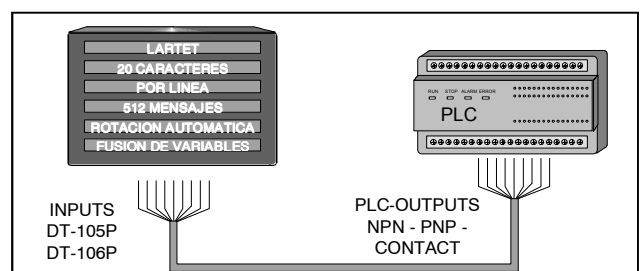
Protocol 14M-2:

Each one of 14 inputs has a message associated. If more than one input is on only the less significant message is displayed.

Variables.

With Protocol 512-M not only display texts, but also variables values. To work with variables it is necessary to use transistor PLC outputs.

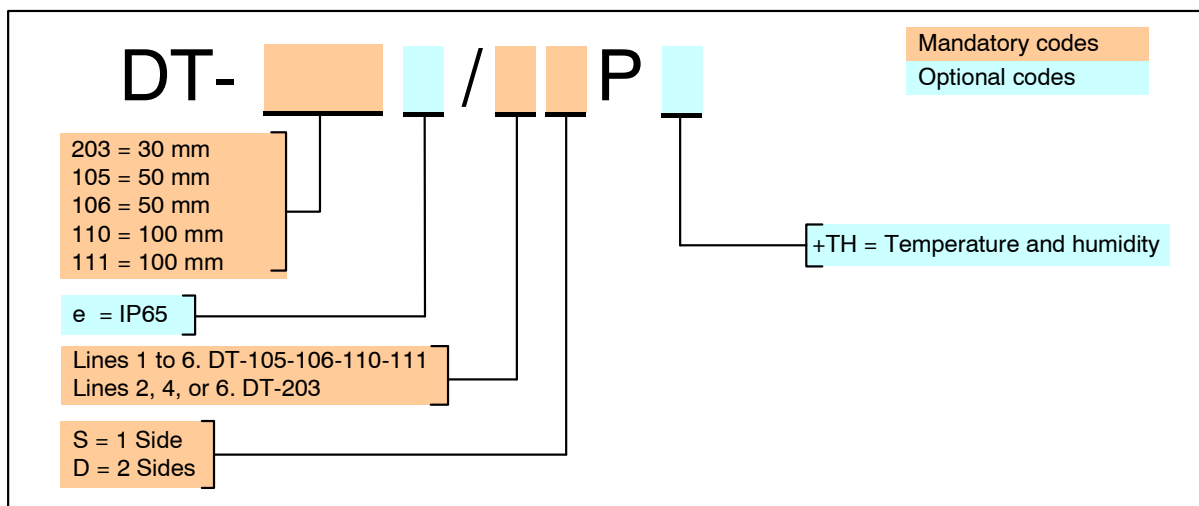
This protocol let insert from one variable of 16 characters to 16 variables of one character into each line of a message.



Specifications

| Model | DT-203 | | DT-105 and DT-106 | | DT-110 and DT-111 | |
|---------------------------------|---|-----------|--|--------------------------|--|--------------------------|
| | DT203/nSP | DT203/nDP | DT-105/nSP DT-106/nSP | DT-105/nDP DT-106/nDP | DT-110/nSP DT-111/nSP | DT-110/nDP DT-111/nDP |
| n = Number of lines | | | | | | |
| Number of sides | 1 | 2 | 1 | 2 | 1 | 2 |
| Control | NPN, PNP 24VDC | | | | | |
| Connector | DB25 plug | | | | | |
| Number of lines | 2,4 or 6 lines | | 1 to 6 lines | | | |
| Character/line | 20 characters | | | | | |
| Display matrix | LED, 5 x 7 dot matrix | | | | | |
| Character height | 30mm | | 50mm | | 100mm | |
| Reading distance | 15 mètres | | 25 mètres | | 50 mètres | |
| Maximum environmental lighting | 1000 lux | | DT-105 = 1000 lux. DT-106 = Outdoor | | DT-110 = 1000 lux. DT-111 = Outdoor | |
| Power supply | 100VAC to 240VAC 50/60Hz | | | | | |
| Dimensions 1 line | Not available | | 985 x 118 x 120 mm | | 1886 x 165 x 120 mm | |
| Dimensions 2 lines | 615 x 170 x 120 mm | | 985 x 224 x 120 mm | | 1886 x 378 x 120 mm | |
| Dimensions 3 lines | Not available | | 985 x 330 x 120 mm | | 1886 x 591x 120 mm | |
| Dimensions 4 lines | 615 x 317 x 120 mm | | 985 x 436 x 120 mm | | 1886 x 805 x 120 mm | |
| Dimensions 5 lines | Not available | | 985 x 542 x 120 mm | | 1886 x 1018x 120 mm | |
| Dimensions 6 lines | 615 x 464 x 120 mm | | 985 x 648 x 120 mm | | 1886 x 1232 x 120 mm | |
| Protection degree | DT-203 = IP41 DT-203e = IP65 | | DT-105 = IP41 DT-106 = IP54 DT-105e = IP65 DT-106e = IP65 | | DT-110 = IP41 DT-111 = IP54 DT-110e = IP65 DT-111e = IP65 | |
| Max. number of messages | 512 messages | | | | | |
| Max. Length of the message | 160 characters | | | | | |
| Messages memory | EEPROM 32kB | | | | | |
| Case/display | Aluminium section in black. Display in extruded antireflex methacrilate | | | | | |
| Humidity + temperature accuracy | Temperature $\pm 0,5^{\circ}\text{C}$ at 25°C . Humidity $\pm 3,5\%$ between 30% and 70%. | | | | | |
| Operating temperature range | 0°C to 50°C | | | | | |

Part number. (Details)



Examples:

DT-203/2SP

2 lines, DT-203 series display, one face. Control digital inputs

DT-105/3DP+TH

3 lines, DT-105 series display, two faces. Control digital inputs and temperature and humidity option.

LARTET®

LARTET is registered trademark of TETRALEC ELECTRONICA INDUSTRIAL S.L.



0939K25H