

DN-108 SERIES

Two digits numeric display of 20mm height.

Parallel control from PLC.



Characteristics

Display information related to a machine

Dn-108 display is really useful to display signs of alarm, warning, breakdown, etc.
It is much cheaper than conventional lighting flag.
It is a numeric display of two digits to assemble in panel.

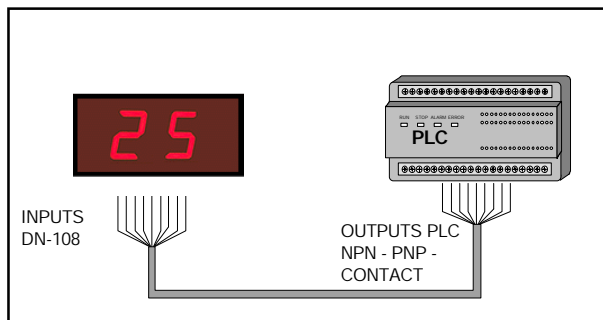
Perfect Visibility

Dn-108 display offers a perfect visibility. It can be read up to 10 meters, thanks to its good contrast and its medium sized digits of 20mm.

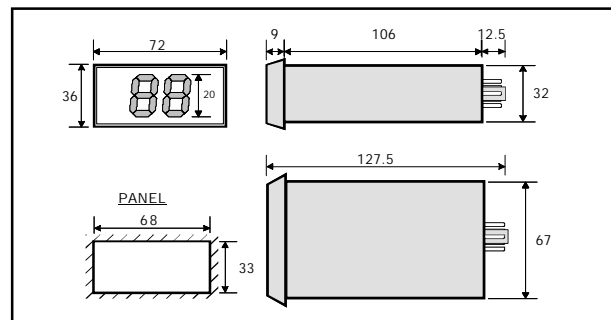
Applications

It is Controllable by all PLC with digital outputs of NPN, PNP, or CONTACT types.

Applications



Dimensions



Specifications

Model	DN-108
Number of digits	2 digits
Height of digit	20 mm
Display	7 Segments. Red color
Reading distance	10 m
Maximum lighting	1000 lux
Power supply	24VDC +/- 10%
Maximum intensity	200 mA
Dimensions	72 x 36 x 127 mm
Frontal protection degree	IP-41
Weight	0,15 Kg. approximately
Characters	0, 1, 2, 3, 4, 5, 6, 7, 8, 9
Level of inputs	15 to 26VDC, 6mA
Polarity of inputs	Non polarity, NPN, PNP or CONTACT
Exterior connections	Undecal connector
Direction management of inputs	BCD

